

PHYSICS

CHEMISTRY
BIOLOGY

ENGINEERING



LD DIDACTIC

P5.8.6.1 / 2/ 3/ 4/ 5

Diode Pumped Nd:YAG Laser

4747106 EN



LEYBOLD®



Laser Sicherheitshinweise

Hiermit erklärt die Firma LD Didactic GmbH,
dass es sich bei dem angebotenen Lasersystem um einen Aufbau handelt, der sowohl in
Komponenten als auch im fertigen Aufbau einem Laser der Klasse 3A, 3B oder 4 nach DIN EN 60
825-1 entspricht. Typischerweise ist die Pumpdiode eine Nd:YAG Laser Klasse 4, ein HeNe Laser mit
Auskoppler Klasse 3A, aber ein HeNe mit zwei hochreflektierenden Spiegeln nur Klasse 1. Bitte die
Anleitung oder Aufkleber beachten.

Aus Haftungsgründen dürfen diese Geräte oder Gerätesammlungen nicht an Privatleute verkauft
werden. Der Einsatz von Lasern oberhalb Klasse 2 an allgemeinbildenden Schulen ist in
Deutschland nicht gestattet.

Gewerbliche Abnehmer, Schulen und Universitäten werden hiermit darauf hingewiesen, dass aus dem
missbräuchlichen Betrieb der Geräte ein Verletzungsrisiko, speziell für die Augen, resultiert.

Dem Benutzer obliegt insbesondere:

- Die relevanten Unfallverhütungsvorschriften zu beachten, zur Zeit beispielsweise BGV B2 und BGI 832
 - die OstrV zu beachten „Verordnung zum Schutz der Beschäftigten vor Gefährdungen durch künstliche optische Strahlung“
 - Der Betrieb der Geräte muss rechtzeitig beim Gewerbeaufsichtsamt und der Berufsgenossenschaft angezeigt werden.
 - Der Betreiber muss schriftlich einen Laserschutzbeauftragten benennen, der für die Einhaltung der Schutzmaßnahmen verantwortlich ist.
 - Die Geräte sind nur für den Betrieb in umschlossenen Räumen vorgesehen, deren Wände die Ausbreitung des Laserstrahls begrenzen.
 - Der Laserbereich ist deutlich und dauerhaft zu kennzeichnen.
 - Ab Laserklasse 4 ist eine Laser-Warnleuchte am Raumzugang notwendig.

 - Die Geräte sind zur Lehre und Ausbildung in Berufsschulen, Universitäten oder ähnlichen Einrichtungen gedacht.
 - Die Geräte nur innerhalb der in den Anleitungen vorgegebenen Betriebsbedingungen betreiben.
 - Die Geräte nur von entsprechend unterwiesenen Mitarbeitern und Studierenden benutzen lassen.
- Bei Handhabung des Gerätes durch Studenten müssen diese von entsprechend geschultem Personal überwacht werden.



Als praktische Ratschläge:

- Vor dem Einschalten auf Beschädigungen prüfen
- Nicht in den Strahl blicken
- Den Laserstrahl so führen, dass sich keine Personen, Kinder oder Tiere ungewollt im Strahlbereich befinden können
- Den Laserstrahl nicht auf reflektierende Flächen oder in den freien Raum richten
- Nicht mit reflektierenden Gegenständen im Laserstrahl arbeiten
- Armbanduhr, Schmuck und andere reflektierende Gegenstände ablegen.
- Beim Einsetzen optischer Bauteile den Laserstrahl an der Quelle abschalten oder geeignet abdecken, bis die Bauteile positioniert sind
- Teilweise wird mit unsichtbaren Laserstrahlen gearbeitet, deren Verlauf nicht sichtbar ist.
- Falls nötig, Laserschutzbrillen oder Laserjustierbrillen benutzen.

Die Firma LD Didactic GmbH haftet nicht für eine missbräuchliche Verwendung der Geräte durch den Kunden.

Der Kunde verpflichtet sich hiermit die Geräte nur entsprechend der rechtlichen Grenzen einzusetzen und insbesondere den Laserstrahl nicht im Straßenverkehr oder Luftraum zu verwenden oder in anderer Form auf Personen und Tiere zu richten.

Der Kunde bestätigt, das er befugt ist, diesen Laser zu erwerben und zu verwenden.

PHYSICS

CHEMISTRY
BIOLOGY

ENGINEERING



Laser Safety Notes

LD Didactic GmbH informs the customer this is laser equipment of either class 3A, 3B or 4 according to IEC 60 825. Typically a Nd:YAG Pump Diode is class 4, a HeNe with output coupler class 3A, but a HeNe with two high reflecting mirrors only class 1. Please see manual or attached labels for the exact specification of the laser.

Special safety precautions are necessary. Please check with local regulations. Typically the use requires a safety sign and a warning lamp that is on when the laser is activated and it might also be necessary to do and document a risk assessment.

Due to product liability, the laser must not be sold to individual persons. Companies, higher schools and universities might use it, but are notified that misuse of the laser poses a health risk, especially for the eyes.

The intended use of this equipment is for lessons, education and research in higher schools, universities or similar institutions.

Do not operate the devices outside parameters specified in the manual.

People using the laser must be properly trained and students must be supervised.

As a general guidance, the user is advised to:

- Check the laser for damages before use
- Not to look into the beam
- Take necessary measures that no people or animals can accidentally enter the beam area
- do not direct the beam on reflecting surfaces or into public areas
- do not work close to the light path with reflecting tools
- take off all jewelry and wristwatches when working with the laser to avoid reflections
- While placing or removing optical parts in the light path, switch off the laser or cover its exit
- Some of the experiments use invisible laser beams, but still might hurt the eye
- use laser protection glasses or laser adjustment glasses where necessary
- supervise students by trained personnel when they work with the laser system
- use the laser system only as described in the instruction manuals

Customer acknowledges the receipt of this information.

The customer indemnifies LD Didactic from liability for any damages that occur because of misuse of the laser.

The customer confirms that he will obey all local regulations and is allowed by law to buy and use the laser system.

Table of Contents

1.0	THE ND:YAG-LASER	4
1.1	<i>Optical pumping</i>	4
1.2	<i>Four-level system of the Nd:YAG laser.</i>	5
1.2.1	Rate equation model for four levels	6
1.2.2	Spontaneous process	6
1.2.3	Induced processes	6
1.2.4	Solution of the rate equations	7
1.2.5	Steady-state solution	7
1.2.6	Time-dependent solution	8
1.2.7	Spiking	8
1.2.8	Q-switching	8
2.0	LASER RESONATOR	10
2.1	<i>Types of resonators</i>	10
2.2	<i>Stability criterion</i>	10
2.3	<i>Resonator modes</i>	11
2.3.1	Longitudinal modes	11
2.3.2	Gain profile	12
2.3.3	Transverse modes	12
3.0	THE PUMP-LIGHT SOURCE	13
3.1	<i>Diode Laser</i>	13
4.0	SECOND HARMONIC GENERATION	16
4.1	<i>Introduction</i>	16
4.2	<i>Interaction of light and matter</i>	16
4.3	<i>Non-linear Optics</i>	16
4.4	<i>Frequency doubling</i>	17
4.5	<i>Phase matching</i>	17
5.0	Q-SWITCH	21
5.1	<i>Mechanical Q-switch</i>	21
5.2	<i>Optical Q-switch</i>	21
5.2.1	Passive Q-switch	21
5.2.2	Pockels's cell	22
6.0	SET-UP AND PERFORMANCE OF THE ND:YAG-LASER	25
6.1	<i>The Modules</i>	25
6.2	<i>Experimental set-up</i>	28
6.3	<i>Absorption and wavelength of the laser diode</i>	28
6.3.1	Adjusting a parallel beam by means of the collimator (module B)	28
6.3.2	Inserting the focusing unit (module C)	28
6.3.3	Inserting the YAG - rod	29
6.4	<i>Absorption spectrum</i>	29
6.5	<i>Wavelength and temperature dependence</i>	30
6.6	<i>Laser diode output power</i>	30
6.7	<i>The $^4F_{3/2}$ life-time measurement</i>	31
6.8	<i>The Nd:YAG laser set-up</i>	32

6.9	<i>Laser resonator adjustment</i>	32
6.10	<i>Laser operation</i>	32
6.10.1	Measurement of threshold and output power of the Nd:YAG laser	32
6.10.2	Output power at various pump wavelengths	33
6.10.3	Display of transverse modes	33
6.10.4	Demonstration of Spiking	33
6.10.5	Operation of the 1.3 μm Line	34
6.10.6	Mode Aperture and TEM ₀₀ Operation	34
7.0	SECOND HARMONIC GENERATION	35
7.1	<i>Modules and Set-Up</i>	35
8.0	PASSIVE Q-SWITCH	36
8.1	<i>Modules and Set-Up</i>	36
8.1.1	Experimental arrangement for Q-switch operation	36
9.0	ACTIVE Q-SWITCH	38
9.1	<i>Modules and Set-Up</i>	38
9.1.1	Description of the modules	38
9.2	<i>Active Q-switch alignment procedure</i>	39
9.3	<i>Intra-cavity second harmonic generation with Q-switched laser</i>	40
9.4	<i>Extra-cavity second harmonic generation with Q-switched laser</i>	40
10.0	LASER SAFETY	41

1.0 The Nd:YAG Laser

1.1 Optical pumping

Optical pumping is a process in which light is radiated into a specimen under investigation and the effect of the light on the specimen is examined. It was in this way that the strange physical phenomenon was observed of atoms only being able to accept or release energy in well defined quantities. This observation led to the conclusion that atoms only have discrete energy states or energy levels. When light is absorbed or emitted, a transfer takes place between the energy levels (Fig. 1.1). A transition from the level with the energy E_1 to a level with the energy E_2 can occur if an incoming photon is absorbed with the energy $E_{ph} = E_2 - E_1$. In the reverse case, a photon with the energy $E_{ph} = E_2 - E_1$ is emitted if a transition of the atom takes place from a state with energy E_2 to one with energy E_1 . The two processes of absorption and emission differ in that an external field with the energy E_{ph} must be present for absorption, whereas no field is present for emission. This emission occurs spontaneously from the system itself without external fields. It can be compared to the radioactive decay of an excited nucleus. The analogous inverse process to absorption, i.e. emission under the application of external fields is termed induced emission.

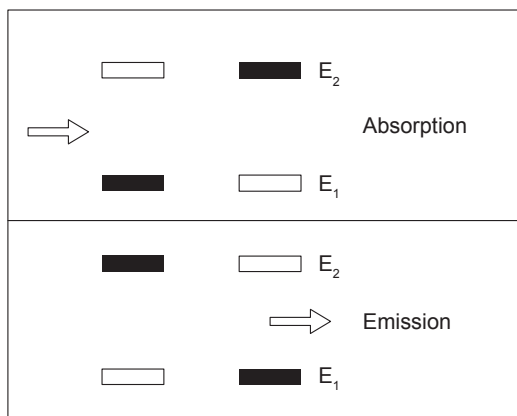


Fig. 1.1: Absorption and emission

For each of the processes the number of atoms can be stated which absorb or emit a photon per unit of time and per unit of volume.

$$\frac{dn_1}{dt} = -B_{12} \cdot n_1 \cdot u_{ph} \quad \text{Absorption}$$

$$\frac{dn_2}{dt} = -B_{21} \cdot n_2 \cdot u_{ph} \quad \text{Induced emission}$$

$$\frac{dn_2}{dt} = -A_{21} \cdot n_2 \quad \text{Spontaneous emission}$$

B_{12} denotes the Einstein coefficient of absorption,

B_{21} the Einstein coefficient of induced emission and

A_{21} the Einstein coefficient of spontaneous emission,

n_1 and n_2 are the densities of the atoms in the states 1 and 2 respectively,

u_{ph} is the energy density of the external field. By integration of the equation for spontaneous emission, information is obtained on the variation of this type of emission with respect to time:

$$n_2(t) = n_2(t_0) \cdot e^{-A_{21} \cdot t}$$

A decay probability and a mean life-time can be given completely analogous to radioactive decay. The Einstein coefficient A_{21} represents this probability and

$$\tau = \frac{1}{A_{21}} \quad \text{the mean life-time.}$$

This states the time which passes before the number of excited atoms has reduced to $1/e$ or before $n_2(t)$ has reached the value

$$n_2(t) = n_2(t_0) \cdot \frac{1}{e}$$

For normal optical transitions, this value is between 10^{-8} and 10^{-9} sec. This life-time which is determined by the spontaneous transitions alone is relevant for the natural half width of a spectral line. According to the Heisenberg uncertainty principle, there is a relationship between the width and the life-time:

$$2\pi \cdot d\nu = \frac{1}{\tau} = A_{21}$$

where $d\nu$ is the half-width of the spectral line.

According to the above requirements transitions will only take place if the energy of the absorbed or emitted photon is sharply defined, e. g.

$$E_{ph} = E_2 - E_1$$

In actual fact nature is not that critical and it is seen that photons with a slightly different energy also take part in these processes. The reason for this is that the energy levels are broadened due to various mechanisms.

Depending on how mobile the atoms are due to their temperature and how they are affected by interactions with their environment, there is a broadening dE which means that photons within this region are accepted. The width of the transition is given by the half width dE for the relevant transition (Fig. 1.2). The same theory is valid for emission.

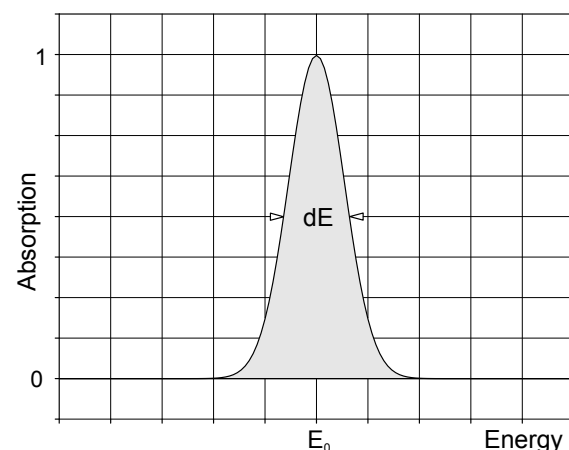


Fig. 1.2: Broadened absorption transition.

E_0 is the energy at which the absorption is the highest. It corresponds to the value $E_2 - E_1$. For the sake of complete-

ness it should be mentioned that there are also situations in which this value can be displaced. The shape of the absorption curve corresponds to a Gaussian distribution. By definition dE is the width of the curve at which the absorption has fallen to one half of the maximum value. This is known as the full width at half maximum ($FWHM$). If there are other transitions within the vicinity of this transition, they may overlap, producing a substantially wider absorption curve (Fig. 1.3). This is particularly important in the case of the absorption of laser diode radiation in Nd:YAG which is discussed later.

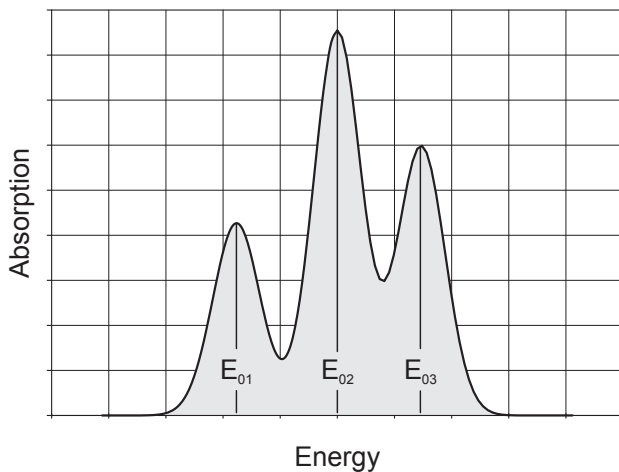


Fig. 1.3: Absorption for three neighbouring transitions with different absorption strengths

In principle an atom may have any number of energy levels, but they must be discrete. The transitions between the individual levels take place according to defined selection criteria. When the atom is excited with a defined energy, an emission spectrum is observed with characteristic energies and this spectrum gives precise information about the energy levels involved.

Excitation by optical pumping has therefore developed as a very important method used in spectroscopy. It is also an indispensable technique for the excitation of a number of different types of lasers.

1. Optical pumping in conjunction with Nd:YAG lasers is of particular interest, because these have become widely accepted for industrial use, along with the CO_2 laser. The laser-active material which, in the case of the Nd:YAG laser, is excited by optical pumping, consists of Neodymium atoms that are accommodated in a transparent host crystal (YAG = Yttrium Aluminium Garnet).
2. Whereas up to a few years ago Nd:YAG lasers were almost excited using discharge lamps, optical pumping with laser diodes is becoming more significant.
3. This is because laser diodes are available economically and they emit narrow band light at high optical powers, which matches the energy levels of the Nd:YAG crystal (Fig. 1.4). The advantage over the discharge lamp is that the emission of laser diodes is nearly completely absorbed by the Nd:YAG, whereas the very wide spectral emission of discharge lamps is absorbed to only a small extent. The efficiency of optical pumping with discharge lamps is about 3%, but figures of up to 50% can be achieved using laser diodes!

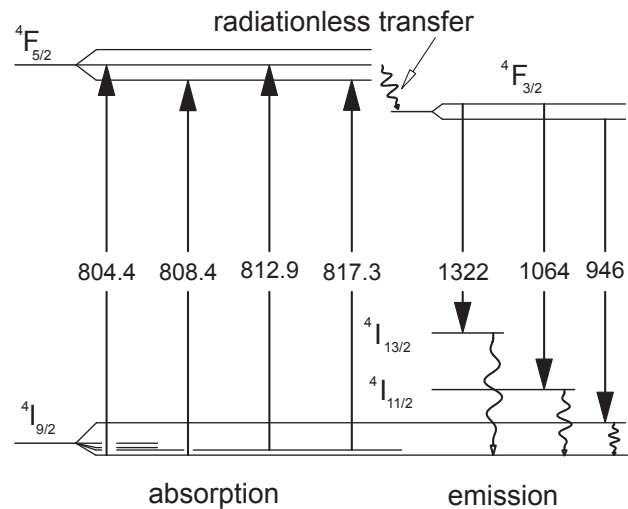


Fig. 1.4: Relevant energy levels of Nd:YAG for optical pumping with laser diodes having wavelengths around 805 nm

Some energy levels of the Nd atom are illustrated in Fig. 1.4. Here, only those are shown which are significant for optical pumping with laser diodes and which are important for the laser process. The levels are labelled with their spectroscopic notations. Since the Nd atoms are situated within the YAG host crystal, the otherwise degenerated energy levels of the isolated Nd atom split into a number of states.

This gives rise to the ground state $4I_{9/2}$ from 5 sub-states and the state $4F_{5/2}$, which can be pumped from 5 sub-states. Since the wavelength of the pump-light source (diode laser) can vary within low limits, a total of three to four transitions can be pumped with high efficiency.

The Nd atoms of the $4F_{5/2}$ state pass very quickly into the laser output level $4F_{3/2}$. The laser transition which is technically most interesting takes place between the $4F_{3/2}$ state as starting level and terminates in the $4I_{11/2}$ state with an emitted wavelength of 1064 nm.

From here the Nd atoms relax again into the ground state $4I_{9/2}$ until the pumping process starts from the beginning again. The Neodymium therefore has an ideal four level system.

1.2 Four-level system of the Nd:YAG laser.

The principle is shown in Fig. 1.5. Under the radiation of a light field (optical pumping), transitions from ground state 1 to the upper level 4 occur. The reverse processes from state 4 to state 1 are prevented by very fast transitions from state 4 to state 3 without radiation. The laser transition takes place from level 3 into level 2 which is thermally not populated. From here the Nd atoms relax again back to ground state 1.

The irradiation by light, which leads to the population of an otherwise empty state, is termed optical pumping. The emptying of a level occurs either with the emission of photons or without radiation. Transitions without radiation take place due to mechanical interactions such as collisions or vibrations and they are also designated as relaxation. The number of transitions without radiation per second is termed the relaxation rate. Transitions in which

photons are emitted occur spontaneously or are induced. Spontaneous transitions also occur without pumping processes. However, induced emissions only occur if a pumping process takes place. Rates are also stated here, one rate for spontaneous emission and another one for induced emission. Each state which can interact with one or more other states is labelled with this type of rates.

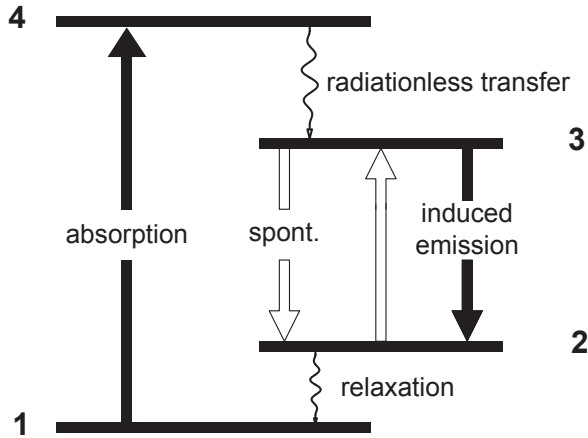


Fig. 1.5: Principle of the four-level laser

- W_{14} probability of absorbing a pump photon.
- S_{43} probability of relaxation from state 4 to 3 .
- S_{32} probability of spontaneous emission of a photon.
- W_{32} probability of induced emission of a photon.
- W_{23} probability of induced absorption of a photon.
- S_{21} probability of relaxation from state 2 to state 1.

However, in Fig. 1.5 showing the principle, only the transition probabilities that are significant for the pump and laser processes are indicated. All the designated levels are populated to some extent due to pumping. The extent to which each state is populated is given by the number N_i of Nd atoms which are in the relevant state i of excitation:

state 1	N_1
state 2	N_2
state 3	N_3
state 4	N_4

Under the realistic assumption made in this example that the Nd atoms only pass through the labelled excitation steps, the sum of the population densities gives the Nd atoms which are available. The desired laser oscillation will, however, only be achieved if an adequate population inversion can be established between states 3 and 2. The conditions under which laser emission occurs, together with how the laser behaves, can be predicted by a model of the so called rate equation model. Initially, the main interest will be focused on continuous laser operation.

1.2.1 Rate equation model for four levels

The model describes the situation in a simple but exact manner. Each of the levels involved is regarded as a reservoir to which or from which “particles” flow. The particles used in this picture represent the Nd YAG atoms related to their corresponding state. Particle streams flowing to the level are given a positive sign, those flowing away are

given a negative sign. This is carried out for each of the involved states.

The number of excited atoms per unit of time in state 3 is:

$$\left. \frac{dN_3}{dt} \right|_p = \eta \cdot W_{14} \cdot N_1 = W_p \cdot N_1 \quad \text{pump rate}$$

where η is the pumping efficiency. The transition from state 4 occurs so fast that the level 3 is pumped immediately and the population N_4 density of state 4 is therefore $N_4 \sim 0$.

1.2.2 Spontaneous process

Another process affecting state 3 is spontaneous emission:

$$\left. \frac{dN_3}{dt} \right|_s = -\Gamma \cdot N_3 \quad \text{spontaneous rate,}$$

where $\Gamma = 1/\tau_s$, τ_s is the mean life-time of a photon before it is spontaneously emitted.

1.2.3 Induced processes

Finally, the induced processes occurring between states 3 and 2 under the influence of the laser field must also be considered. The relevant rates are proportional to the difference in the population numbers N_2 and N_3 and to the photon density p of the laser field. The effective cross-section σ for the emission or absorption of a photon arises as a constant of proportionality:

$$\left. \frac{dN_3}{dt} \right|_i = \sigma \cdot c \cdot p \cdot (N_2 - N_3) \quad \text{induced rate.}$$

Therefore the variation in the population density of level 3 with respect to time can be written as the sum of the separate rates:

$$\frac{dN_3}{dt} = \sigma \cdot c \cdot p \cdot (N_2 - N_3) - \Gamma \cdot N_3 + W_p \cdot N_1$$

Furthermore, the assumption is made that the transition from state 2 to state 1 is also so fast that only very few of the particles accumulate in state N_2 that means $N_2 = 0$ and the total number N_0 of Nd atoms is therefore:

$$N_0 = N_1 + N_3$$

Since N_0 is constant, also $dN_0/dt = 0$ and dN_1/dt becomes $-dN_3/dt$. Therefore the variation of the population density N_1 with respect to time is:

$$\left. \frac{dN_1}{dt} \right|_i = -\sigma \cdot c \cdot p \cdot (N_2 - N_3) + \Gamma \cdot N_3 - W_p \cdot N_1$$

It is important for the later laser process to know how the photon density on the laser transition 3 to 2 varies with respect to time. With each „induced“ absorption process a photon is annihilated and a photon is created with each induced emission process.

$$\left. \frac{dp}{dt} \right|_i = -\sigma \cdot c \cdot p \cdot (N_2 - N_3) \quad \text{induced}$$

Once created, the photon density does not remain in a resonator, instead it reduces with the time constant τ_{ph} , because photons are leaving at the mirrors of the resonators

or are lost in other ways.

$$\left. \frac{dp}{dt} \right|_l = -\frac{p}{\tau_{ph}} \quad \text{losses}$$

The complete variation of the photon density with respect to time is:

$$\frac{dp}{dt} = \sigma \cdot c \cdot p \cdot (N_3 - N_2) - \frac{p}{\tau_{ph}}$$

For simplification the population inversion $N_3 - N_2$ is designated as n . The variation of the population inversion with respect to time is obtained by the following relations:

$$\frac{dn}{dt} = -\sigma \cdot c \cdot p - \Gamma \cdot n + W_p \cdot (N_0 - n) \quad (1.1)$$

and for the photon density:

$$\frac{dp}{dt} = p \cdot \left(\sigma \cdot c \cdot n - \frac{1}{\tau_{ph}} \right). \quad (1.2)$$

1.2.4 Solution of the rate equations

The differential equations (1.1) and (1.2) form a pair of coupled conditional equations for the two unknown functions $n(t)$ and $p(t)$. The equations are non-linear because they both contain the term pn . Analytical solutions are not known and one has to rely on computerised solutions.

1.2.5 Steady-state solution

When the system is in the state of equilibrium, i.e. for steady-state laser operation, the values for dn/dt and dp/dt are equal to zero. In this case an expression for the population inversion is obtained immediately:

$$n = \frac{N \cdot W_p}{\sigma \cdot c \cdot p + W_p + \Gamma}$$

When the laser is operated below or just at the threshold, no photon field is formed ($p=0$). In this case $Wp \ll \Gamma$ and the threshold inversion is given by:

$$n(p=0) = n_0 = N \cdot \frac{W_p}{\Gamma}$$

This equation states that in a four-level laser an inversion immediately is produced when it is pumped. This is a particular advantage as opposed to other laser systems. Unfortunately, neither the photon density nor the pumping rate are directly accessible by measurement.

However, the photon density is coupled to an easily measured quantity, i.e. the power applied in the pumping process. If the relationships between the photon density p and the corresponding intensity, as well as the resonator output and loss characteristics are considered, the output power P_a of a four-level laser can be obtained as:

$$P_a = \eta \cdot \frac{E_{32}}{E_{41}} \cdot (P_p - P_{th}) \cdot \frac{T}{T + L} \quad (1.3)$$

In this equation E_{32} signifies the energy difference between states 3 and 2 (laser wavelength). E_{41} is the energy difference between states 4 and 1 (pump wavelength), T is the transmission of the output coupling mirror, L is the loss

in the resonator due to dispersion, absorption or refraction. P_p is the pump power and P_{th} is the threshold pump power. Above the threshold pump power P_{th} the output power of the laser increases linearly with the pump power.

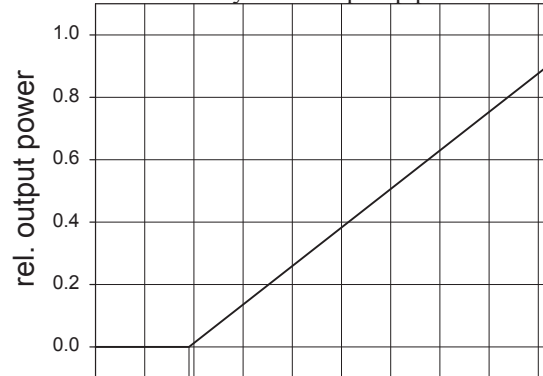


Fig. 1.6: Laser output power as a function of the pump power

The slope α_s of the straight line (Fig. 1.6) is one of the most important parameters of a laser and is termed the slope efficiency.

$$\alpha_s = \eta \cdot \frac{E_{32}}{E_{41}} \cdot \frac{T}{T + L} \quad (1.4)$$

The relation E_{32} / E_{41} is also known as the quantum efficiency. It gives the energy ratio of a laser photon to the pump photon. For the Nd:YAG laser pumped by a diode laser this is, for example, 810 nm / 1064 nm = 0,76.

The value η is the quantum yield, but unfortunately sometimes both quantities are commonly named as the quantum efficiency. For the laser designer it is important to obtain the highest possible output at the highest possible efficiency. Another important feature is that the transmission T for the resonator output mirror must be selected as large as possible according to equation (1.4).

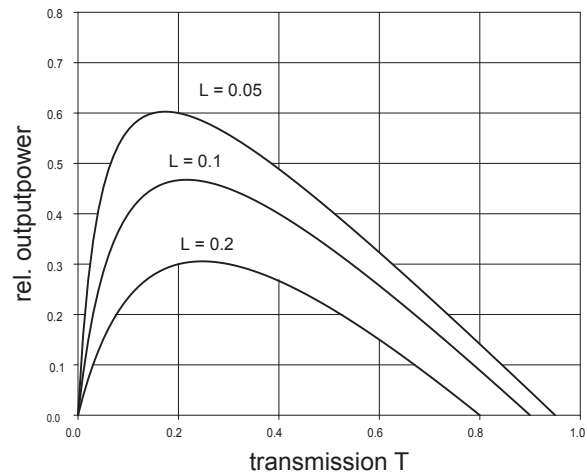


Fig. 1.7: Laser output power versus the transmission T of the output mirror and the losses L.

However, this has the consequence that the threshold pump power P_{th} increases and the output power decreases according to equation (1.3). A compromise between both equations must therefore be found.

In practice the losses L depend on various parameters of the resonator including the quality of the laser rod, the absorption losses of the laser mirror etc., so that a mathematical formula covering all effects would be too complicated. It has proven useful to measure the curve of Fig. 1.7 di-

rectly at the laser to find the degree of output coupling. A series of output mirrors with various transmission values is used for this purpose.

1.2.6 Time-dependent solution

The previous solutions described the situation where the laser operates in a steady state. However, for practical operation of the laser, conditions in disturbed equilibrium must also be considered. These kinds of disturbances occur when the intensity of the pump-light source change or the laser resonator is slightly disturbed mechanically. Large deviations from the steady state are particularly important when they cause problems (e.g. spiking and hot spots), but also when they lead to useful operating modes (Q switching). Small deviations of the steady state with $\delta n \ll n$ or $\delta p \ll p$ lead to damped harmonic oscillations of n and p . Larger deviations produce undamped anharmonic oscillations. In this case, power peaks (spiking) of such a intensity may occur that the laser mirrors or the Nd:YAG materials can be destroyed. However, if disturbances are carried out in a controlled manner, these types of power peaks, which extend up into the gigawatt region (!), can be used to advantage. Computerised solutions must be used in calculating the solutions to the rate equations for these cases. In the following, these cases are therefore only qualitatively described.

1.2.7 Spiking

A large deviation from the steady state undoubtedly occurs when the laser is switched on or when the pump-light source is switched on. Until the threshold pump power P_{th} is reached, there are practically no photons present in the resonator.

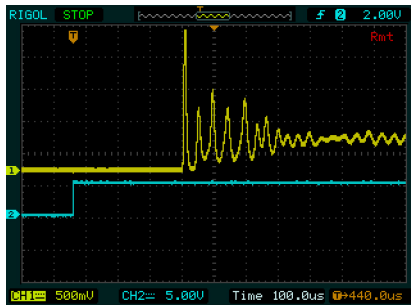


Fig. 1.8: Spiking of the Nd:YAG laser

When the population inversion reaches the threshold, a photon field is formed. However, due to the resonator propagation time, it takes a while until the photon density reaches the steady state value. During this period the inversion, which rises linearly with time, increases above the value of the threshold inversion. This in turn means a more rapid increase in the photon density. This rise is so rapid that the inversion falls to a value slightly below the threshold and the laser oscillation stops (Fig. 1.8). The process starts again, but this time the laser is only slightly below the threshold and the expected inversion overshoot is not so large as before. In this manner the system approaches the steady state. The first power spike (initial spike) can reach a peak power of a factor 100 to 1000 higher than the steady state power value. Spiking therefore can cause serious problems and it can lead to the destruction of the

optical surfaces so that the laser might destroy itself during switch-on. This behaviour which will be observed in the latter experiments indicates, that the Nd YAG crystal can store energy.

1.2.8 Q-switching

The quality of a resonator is the quotient of the resonance frequency and the half width of the resonance curve. The definition is the same as for oscillator circuits known from electronics. A low Q figure for a resonator signifies high losses and vice versa. In a laser resonator with low Q, a high inversion can be produced without laser oscillation, because the threshold is high. If the resonator Q is then suddenly switched to a higher value, a high photon density is formed and a large part of the inversion stored in the laser-active material transfers into the photon field. This is a similar process as discussed with the occurrence of spiking. In contrast to spiking, here the laser threshold is controlled by the insertion and removal of resonator losses. The losses can be switched with an electro-optical switch or by a saturable absorber, which transmission depends on the irradiated intensity. In this experimental set-up a Cr:YAG crystal is used as saturable absorber. The energy level from which the laser emission of 1064 nm starts is the $^4F_{3/2}$ state (Fig. 1.4) which has a mean lifetime of app. 250 μ sec. This means that it takes 250 μ sec before the intensity of the spontaneous emission decreases to 1/e of its starting value, when the pumping field is switched off suddenly. This mean lifetime will be measured in a later experiment. For a laser system, this behaviour can be exploited for the generation of short pulses with high peak powers. Although the time dependent solution of the rate equations can not be derived by analytical expressions one can obtain some simple derivations under the following assumptions. Because of the very fast increase of the photon density the terms in Eq. (1.1) of the pumping rate and the rate of spontaneous emission can be neglected. The development in time of the population density (Eq.(1.1)) simplifies with

$$n_{th} = \frac{1}{\sigma \cdot c \cdot \tau_{ph}}$$

in this case to:

$$\frac{dn}{dt} = - \frac{n}{n_{th}} \cdot \frac{p}{\tau_{ph}} \quad (1.5)$$

and the photon density to:

$$\frac{dp}{dt} = \left(\frac{n}{n_{th}} - 1 \right) \cdot \frac{p}{\tau_{ph}} \quad (1.6)$$

The above equations can be solved for the build up of the giant pulse when the population density n is nearly constant and corresponds approximately to the starting population n_i . Then Eq. (1.6) becomes:

$$\frac{dp}{p} = \frac{1}{\tau_{ph}} \cdot \left(\frac{n_i}{n_{th}} - 1 \right) \cdot dt$$

with the solution for the photon density:

$$p(t) = e^{\left(\frac{n_i}{n_{th}} - 1 \right) \frac{t}{\tau_{ph}}}$$

In accordance to the above solution the density of the photons rises exponentially with a time constant τ , which is due $n_i/n_{th} \gg 1$ considerably lower than the life time τ_{ph} of the photons inside the resonator. An additional remarkable aspect in the development in time of the photon density is the point where the inversion $n(t)$ is decreased to n_{th} . At this moment dp/dt becomes 0 and therefore $p = \text{const.} = p_{\text{max}}$.

Eq. (1.6) can now be written as:

$$\frac{dn}{dt} = -\frac{p_{\text{max}}}{\tau_{\text{ph}}}$$

The negative sign indicates that the inversion is decreasing further. No additional laser photons will be produced. The photon density reaches its maximum and decays now with the time constant

$$\tau_{\text{ph}} = \frac{L}{c \cdot (1-R)}$$

related to the lifetime of the photons inside the resonator.

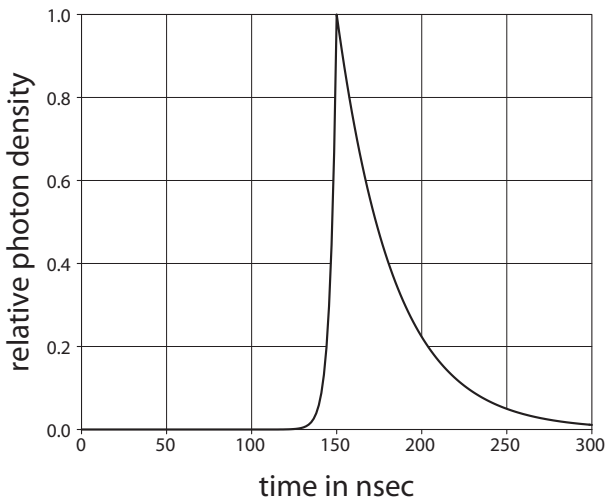


Fig. 1.9: Calculated photon density for $n_i / n_{th} = 10$, a resonator length L of 100 mm and resonator losses of 1%.

The rising part of the curve corresponds to the surplus inversion and the falling one to the photon life time inside the resonator. The peak value of the photon density is given by:

$$p_{\text{max}} = n_{th} \cdot \ln\left(\frac{n_{th}}{n_i}\right) - (n_{th} - n_i)$$

and the peak value of the intensity I_{max} by:

$$I_{\text{max}} = \frac{1-R}{2} \cdot h \cdot \nu \cdot c \cdot p_{\text{max}}$$

The cross section of the stimulated emission σ for the transition 3-2 (Fig. 1.5) amounts $\sigma = 8.8 \cdot 10^{-19} \text{ cm}^2$ and the photon energy $h\nu_{1064 \text{ nm}} = 2 \cdot 10^{-19} \text{ Joule}$.

At this point of the discussion it becomes clear why lasers, whose starting energy level for the laser process has a low lifetime, do not exhibit a considerable increase of the output power under Q-switch operation. These lasers can only achieve a small value of a surplus inversion n_i / n_{th} .

In the case of the CO_2 laser one can obtain a slight increase of the output power termed as super pulse instead of gi-

ant pulse for the YAG laser. For the He Ne Laser with a lifetime of the starting level of some nano seconds no increase of the laser power under Q-switch operation will be obtained. In the case of the Nd:YAG laser with its lifetime of approx. 250 μsec of the starting level the duration of the giant pulse amounts 50 nsec, so that peak powers can be achieved which are considerably higher than the pump power itself. There are some techniques to realise the giant pulse operation of a laser. But they all work with the same fundamental operation: the laser oscillation is prevented until a sufficient surplus inversion is attained.

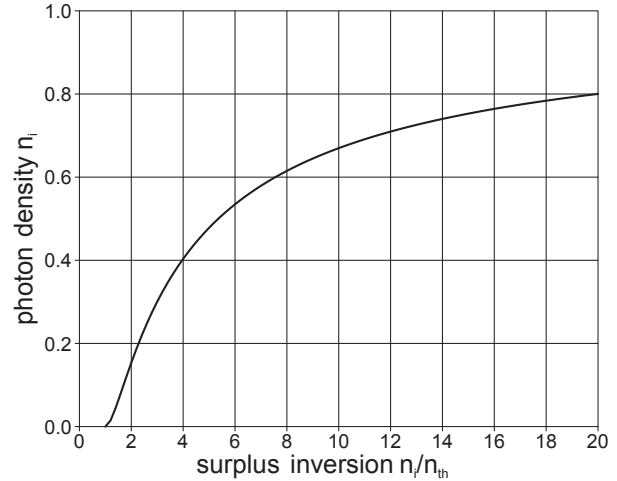


Fig. 1.10: Attainable peak value of the photon density relative to the initial inversion n_i versus the surplus inversion n_i / n_{th}

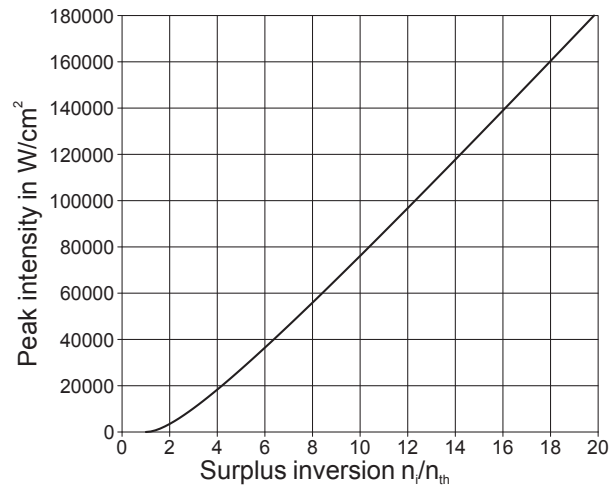


Fig. 1.11: Attainable peak intensities of the cw Nd YAG-Laser at $T=1\%$ in Q-switch mode

Of course it is also important that the releasing of the oscillation takes place sufficiently quick. In the ideal case $n_{th} = \infty$ for the blocked resonator and $n_{th} = \text{min}$ for the released resonator. If for instance the threshold is varying slowly in time also n_i / n_{th} is reducing as well as the attainable peak power. The switching of the Q of the resonator can be achieved with pure mechanical, electro-optical modulator, acousto-optic modulator or by means of a saturable absorber.

These different types of Q-switch devices are described in the following chapters.

2.0 Laser Resonator

2.1 Types of resonators

The most simple optical resonator, the Fabry-Perot resonator, consists of a pair of plane or spherical mirrors located opposite one another. They are centred to a common optical axis and are aligned perpendicular to this axis

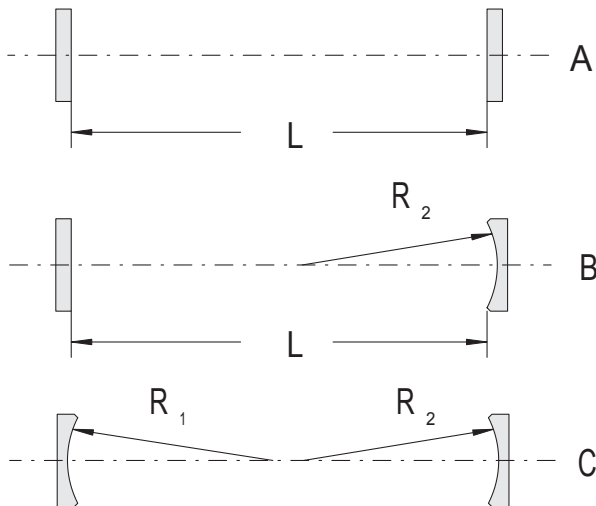


Fig. 2.1: Types of resonator

There are basically three different types of optical resonators:

- plane parallel resonator A
- hemispherical resonator B
- spherical resonator C

For lasers in the low to medium power range (1 mW-200W), the hemispherical resonator is mainly used. Its features include high output powers with relatively uncritical mechanical adjustment.

Apart from other parameters, the output power depends on how much of the laser-active material is used. In this respect the terms pump volume and mode volume are used. The pump volume is the volume of the active material which is illuminated by the pump radiation. In contrast the mode volume is the volume which the laser modes fill within the laser-active material. By selecting the focusing, the pump radiation and the resonator shape the designer can influence both quantities. In the optimum case the pump volume should be a little larger than the mode volume. The mode volume depends on which beam parameters are chosen within the laser resonator. These parameters are determined by the selection of the type of resonator, the radius R of curvature and separation L of the mirrors. However, it should be noted that within certain limits the separation L of the mirrors cannot be varied at will for a given radius R of curvature.

2.2 Stability criterion

The range in which a resonator configuration exhibits any kind of optical stability is found by the stability criterion. A resonator is optically stable if, after any number of reflections, the light still remains in the resonator due to the imaging characteristics of the mirrors used and does not

leave the resonator by protruding beyond the edges of the mirrors. For the plane parallel resonator (A), in which the light beam is only reflected and not modified in shape, it must be ensured that both plane parallel mirrors are adjusted exactly parallel to one another. This type of resonator is the most difficult to adjust and to maintain in a correctly adjusted condition. The spherical resonator (C) is the most simple to adjust, but has the disadvantage that undesired transverse modes can easily start to oscillate. This means that the laser power is split up over a number of modes which are separated spatially from one another and which cannot be focused to a common point as with longitudinal modes.

The hemispherical resonator represents a satisfactory compromise and the stability range for this type of laser is determined in the following. First of all, the g parameters are defined.

$$g_i = 1 - \frac{L}{R_i} \quad \text{g - Parameter}$$

L is the mirror separation and R is the radius of curvature of the laser mirror. The index i is 1 for the left mirror and 2 for the mirror on the right side. If the product $g_1 g_2$ satisfies the condition

$$0 \leq g_1 \cdot g_2 \leq 1 \quad \text{stability criterion}$$

then the resonator is optically stable and the light, once produced, does not leave the resonator by passing over the edges of the mirror. Instead the light remains within an upper limit referred to a distance parallel to the optical axis of the resonator. The stability diagram for the case of interest here is shown in Fig. 2.2 for the hemispherical resonator.

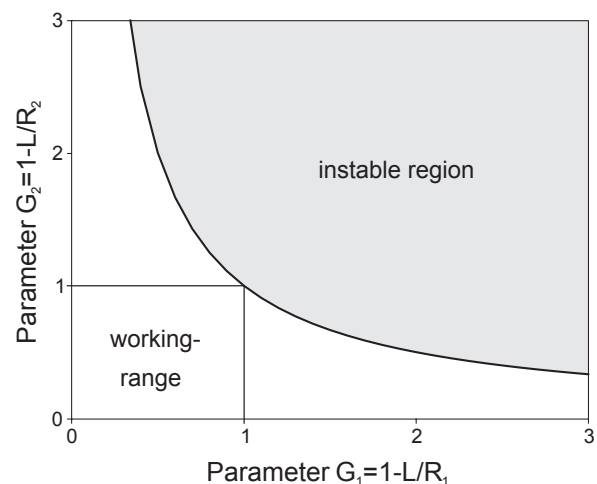


Fig. 2.2: Stability diagram

For this resonator $g_1 = 1$, since $R_1 = \infty$ (plane mirror). All resonators are unstable above the limiting curve $g_1 g_2 = 1$ and are stable below this limit. Since $g_1 = 1$, then with a fixed R_2 the distance of mirror 2 can only be changed from $L=0$ ($g_2=1$) to $L=R_2$ ($g_2=0$). The distance that is actually adjusted within this range depends on the application for which the laser is to be optimized for. The closer the resonator is operated to the stability limit, then the more sensi-

tive it is to maladjustment, because even small changes in separation can take the resonator into the unstable region (e.g. thermal expansion). The mirror separation can be decreased to prevent this problem, but the mode volume is reduced and this in turn significantly affects the output power of the laser.

2.3 Resonator modes

2.3.1 Longitudinal modes

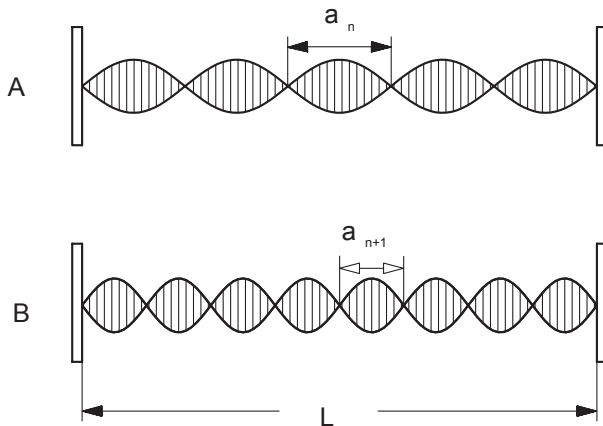


Fig. 2.3: Standing waves in a resonator with plane parallel mirrors. In the upper example five longitudinal modes fit into the resonator of length L and in the lower one n=8

The light-wave is reflected at the mirrors and returns along the same path. The electric field strength of the wave is therefore zero at the mirrors. For a certain separation L of the mirrors only waves can be formed which have a field strength of zero at both mirrors. Obviously, this is possible for a large number of waves for which an integer number n of their half wavelengths $\lambda/2$ fit in the resonator Fig. 2.3. The waves which fit into the resonator are termed oscillating modes or simply modes. If this integer number is n, then all waves fit into the resonator for which

$$n \cdot a_n = L$$

is true. The next neighbouring mode fulfils the condition

$$(n + 1) \cdot a_{n+1} = L$$

The separation between the wavelength of two neighbouring modes is $2a_{n+1} - 2a_n$. If λ is the wavelength, ν the frequency and c the velocity of the wave, then the following applies with:

$$a_n = \frac{\lambda_n}{2} \text{ and } \nu = \frac{c}{\lambda}$$

$$|\delta\lambda| = |\lambda_{a(n+1)} - \lambda_{a(n)}| = \frac{2 \cdot L}{n \cdot (n + 1)}$$

or:

$$\delta\nu = \frac{c}{2 \cdot L}$$

The magnitude of $\delta\nu$ is termed the mode spacing. For a

resonator with a length L of e.g. 50 mm, the mode spacing $\delta\nu$ amounts to 3 GHz. In principle there are a very large number of modes which can fit into the resonator. However, the laser-active material can only amplify a certain limited range of these modes. For the Nd-YAG laser the wavelength at which the maximum gain occurs is 1064 nm.

The region in which amplification takes place is given by the gain bandwidth (similar to the emission bandwidth). It should therefore be expected that for a resonator length of 50 mm with a mode interval of 3 GHz, 30 longitudinal modes will start to oscillate and the laser emission should consist of a combination of discrete frequencies.

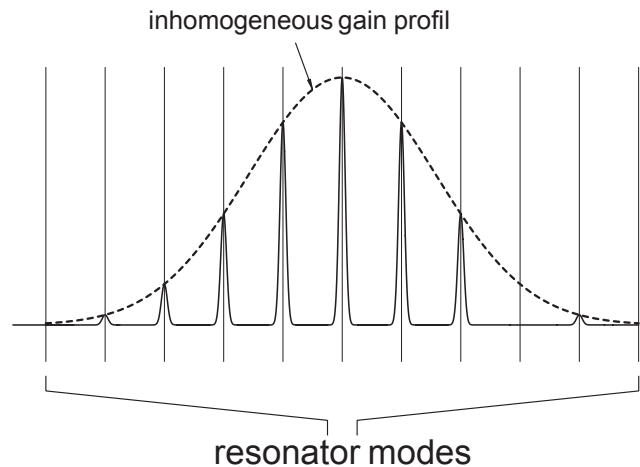


Fig. 2.4: Inhomogeneous gain profile with shown resonator modes. Each individual mode has almost independent operating conditions within the group

From the model of the rate equations we already know that in the steady-state operation of the laser the inversion is reduced until its threshold is reached and that the excess pump photons are converted into laser light.

This also means that the gain reaches the value at which the losses are just compensated. According to Fig. 2.5 this would be a horizontal straight line touching the gain curve at its maximum. In this picture only one mode would be able to oscillate, i.e. the one situated closest to the point where the line and curve meet. Just this one mode would take the complete inversion by itself in a "winner takes it all" manner.

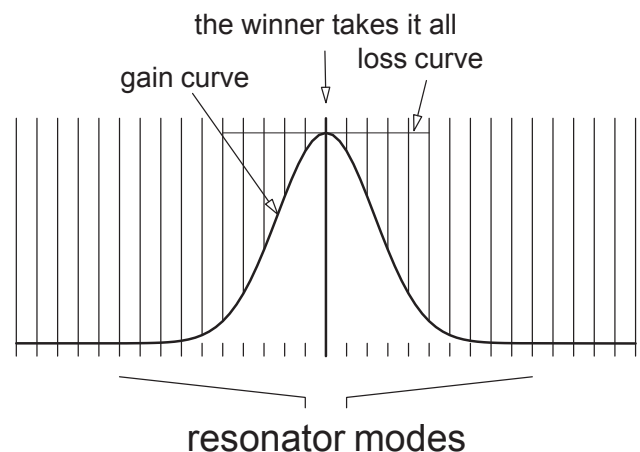


Fig. 2.5: Homogeneously broadened gain profile with shown resonator modes

2.3.2 Gain profile

Laser materials which consists of atoms or molecules with different properties behave in a different manner. This is particularly noticeable in the situation with gas lasers, e.g. the He-Ne laser, in which the atoms, to a certain extent, move freely in a discharge tube.

Following the Maxwell-Boltzmann distribution, there are groups of atoms which have different velocities. These different groups represent their own classes and gain profiles. The whole gain profile is no longer homogeneous but is instead inhomogeneous. These types of laser principally oscillate on a number of modes (multimode operation).

However, experience has shown that there are no purely homogeneous or inhomogeneous systems. Therefore, the gain profile of the Nd:YAG laser is mainly homogeneous, it also has smaller inhomogeneous parts which lead to the Nd:YAG laser oscillating multimode. Optically pumped systems with homogeneous gain profiles are particularly susceptible to variations in pump power and to disturbances in the resonator length due to vibration, noise, etc. The gain characteristic of the system resonator/laser material is modulated by these types of effects and additional modes can occur. This effect is in fact exploited to generate modes which are coupled together. This method of operation is termed mode locking due to gain modulation. Very short laser pulses in the picosecond region can be produced using this type of operating.

2.3.3 Transverse modes

For the sake of simplicity, the laser and resonator properties were discussed for an example of a plane parallel resonator. In practice this type of resonator is not used due to its disadvantageous characteristics.

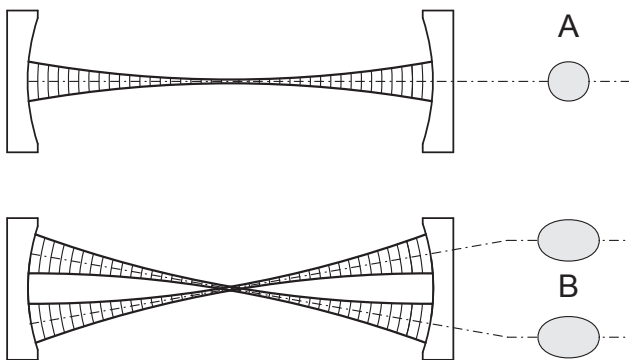


Fig. 2.6: A spherical resonator with oscillation in the fundamental TEM_{00q} (A) and a transverse mode TEM_{01q} (B)

The hemispherical resonator has become very popular, since it exploits in a special manner the desired mode characteristics of the plane parallel resonator and the advantages of adjustment associated with the spherical resonator. However, a disadvantage accompanies this advantage. Whereas almost exclusively longitudinal modes excite in the plane parallel resonator, transversal modes can also arise in spherical resonators. This effect is shown in Fig. 2.6. In contrast to Fig. 2.3 showing the standing waves in the diagram of the electric field of the laser beam, here the geometrical shape of the beam within the resonator is illustrated. When the laser operates in the steady state, the wave-fronts at the mirrors have the same radius of curva-

ture as the mirrors themselves. The situation is drawn in case A in which a radiation field has formed symmetrically about the optical axis. At the resonator output one can see a round Gaussian shaped intensity distribution. But it is also possible for a radiation field to be set up at an angle to the resonator's optical axis. In principle a multitude of this type of radiation field can develop, because in all of these cases the radius of curvature for the radiation field at the mirrors is the same as that of the mirrors. At the resonator output one can now observe intensity distributions spatially separated and no longer symmetrical about the axis of radiation. Since these modes do not oscillate in the direction of the optical axis (longitudinal) but are mainly transversal, these modes are termed transversal modes. Owing to the large number of modes, a convention has been adopted in which the relevant modes are given a universal designation:

$$TEM_{mnq}$$

TEM stands for Transverse Electromagnetic Modes. The indices m, n and q are integer numbers which state the number of intensity spots minus one in the X axis (m) and the number in the Y axis (n) which are observed. The basis for this consideration is the fundamental mode TEM_{00q} which produces just a round spot. In the example in Fig. 2.6 (B) the designation is:

$$TEM_{01q}$$

The number q states how many nodal points the standing wave in the resonator has. This number does not have any significance for the user of the laser and is therefore generally omitted.

3.0 The pump-light source

High power Nd:YAG lasers are still mainly pumped with discharge lamps. Commercially available laser systems can output up to 2,000 watts of continuous-waves laser power. If one bears in mind that the overall efficiency of the Nd:YAG laser is about 1 - 2%, then the discharge lamps must have a light output power of approximately 100 - 200 kW.

From the light produced, only 2,000 W is converted into laser power and the rest appears as heat which must be extracted using complicated cooling systems.

The reason for this “poor” efficiency is that the light produced by the discharge lamps has a broad spectral distribution and the Nd:YAG crystal can only accept the offered light in a number of narrow absorption bands.

Up to the present time it has not been possible, in spite of complex and intensive research, to develop discharge lamps which have an emission tuned to the absorption bands of the Nd:YAG crystal. Along these lines, the gas, which is excited in the discharge lamps, has been doped with additives to produce preferred spectral emissions.

3.1 Diode Laser

Laser diodes do not have this disadvantage since they emit intensive laser light in a narrow spectral range of only a few nano meters. The wavelength of diode emission therefore matches an absorption band of the Nd:YAG crystal very well. It is possible to achieve efficiencies of 50-80% in this manner. However, there are not at present any laser diodes available with output powers greater than 10 W. On account of the attractive features of laser diodes which, in contrast to discharge lamps, do not require any heavy duty power supplies for high voltages (approx. 1000 V), intensive research has started to manufacture of high-power laser diodes.

A further advantage of laser diodes is their very small size which enables a large number of individual diodes to be integrated on one common chip. Rows of pump-light sources with optical output powers into the kW region can be built up with this type of laser diode arrays.

The laser diodes are a special class of lasers. They differ from “conventional” lasers in two points:

Firstly for the classical lasers the laser-active atoms (molecules or ions) are independent of one another and only the same energy levels are used for the laser process. This means in principle that in order to produce a population inversion an infinite number of atoms can contribute (Boltzmann statistics).

This is not the case with semiconductor lasers. Here a defined energy level can only be occupied by two active particles (electrons, Pauli principle). But in semiconductors, the wave functions of the individual atoms overlap to form a common energy band and the extent to which the level is occupied follows the Fermi Dirac statistics. When considering the laser process, the transition between the distribution of population in two energy bands instead of two energy levels must be taken into account as for conventional lasers.

The second important difference concerns the propagation of the laser light within the pn zone. The spatial intensity

distribution of the laser beam is defined by the laser medium and not by the resonator as for normal lasers.

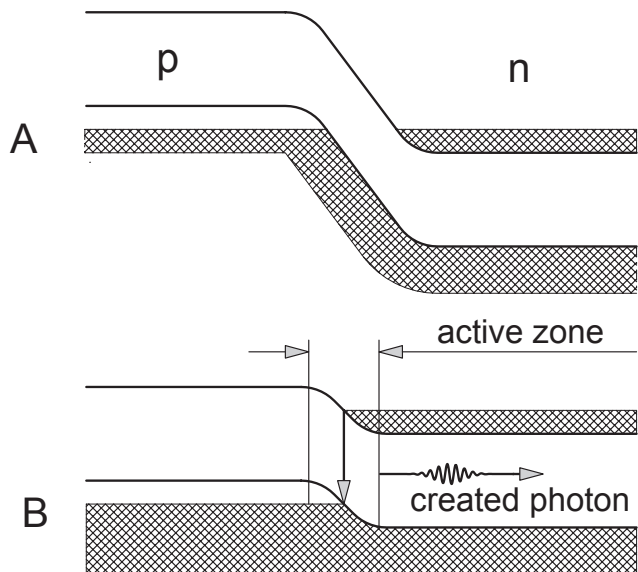


Fig. 3.1: pn junction without applied voltage (A), with applied forward voltage (B). The active zone contains both electrons and holes which produce a photon when recombining.

These two points lead to the fact that the beam characteristics and the spectral properties of semiconductor lasers are significantly different from those of conventional lasers:

For 1.) Laser diodes do not have any inherently defined emission wavelength, because there are no two discrete energy levels that are responsible for the laser process as with traditional lasers, but rather an energy distribution of electrons in energy bands.

For 2.) The production and guidance of the laser light takes place in a very narrow space (pn layer). In contrast to the conventional laser, the dimensions of the resonator are about the same order of magnitude as the wavelength of the laser beam. The spatial distribution of the laser beam and the mode structure is defined by waveguides, whereas the light is freely propagating within a resonator of a conventional type of laser. These two points influence the application of laser diodes.

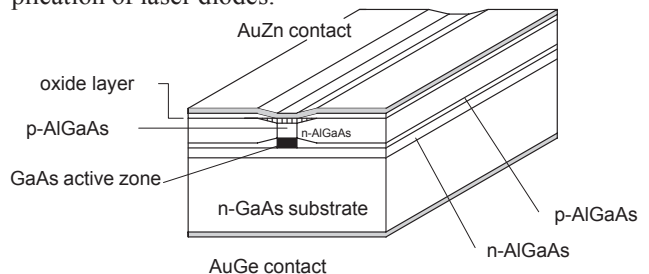


Fig. 3.2: (GaAl)As semiconductor laser with double heterostructure and single stripe geometry

Before the laser beam from laser diodes can be used in the usual manner, the strong divergence must be corrected by sometimes complex optical systems.

Also, the corrected parallel beam does not have a round cross-sectional shape, but is elliptical and sometimes almost rectangular. The corrections required to the beam of a laser diode and the difficulties in obtaining the required

focusing characteristics with comparable power densities mean that the expense involved in the optics obviates the cost advantages of laser diodes.

Because of this, a way is sought of using the laser diode, not as a primary high power laser, but instead, due to its excellent other characteristics, as a pump-light source for conventional laser systems. It should also be mentioned that the above arguments are only relevant when considering laser systems with high powers for applications in material processing. Without a doubt, laser diodes are excellent as primary lasers in communication techniques.

Fig. 3.2 shows a diagrammatic representation of a (GaAl) As semiconductor laser with double heterostructure and single stripe geometry. Charge carriers are injected into the very thin (approx. 0,2 μm) active layer by applying a voltage via the upper AuZn contact stripe which is only a few μm wide. The active zone is embedded between two hetero junction boundaries which act as barriers for the charge carriers. If the flow of current is high enough, population inversion is formed in the active volume.

The laser beam leaves the active zone through the exit window. The crystal has such a high index of refraction that the end surfaces have a sufficient degree of reflection so that no further coating is required and they therefore act as laser resonator mirrors.

There are a large number of types of diode lasers which differ in their structure. Only multiple stripe laser diodes, known as diode arrays, are available at present as high-power laser diodes with powers from 3 W upwards. Single stripe diodes (Fig. 3.2) are currently limited in their output power to about 3 W. Meanwhile output powers of up to kW can be achieved by rows of a number of active zones on one chip. The closer the separation between the stripes, the lower the laser threshold will be.

With a sufficiently high gain "super modes" are created which correspond to one oscillation state for the coupled active zones. The beam profile of the super mode is dispersed according to the extent of the stripe. A laser diode with a single stripe and an output power of 500 mW is used for the Nd-YAG experimental laser.

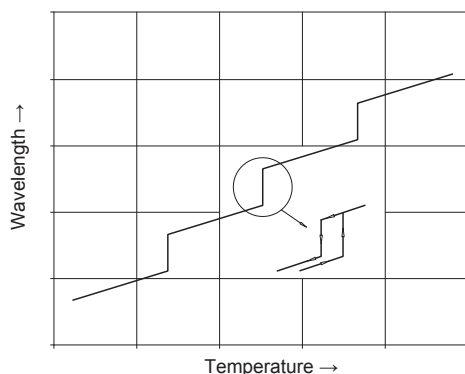


Fig. 3.3: Emission wavelength in dependence of the laser diode crystal temperature showing a hysteresis

A further characteristic of the diode laser is the strong dependence of the laser wavelengths on the temperature of the semiconductor laser (app. 0.25 nm/ $^{\circ}\text{K}$) and of the injection current (app. 0.05 nm/mA). Users who need a defined wavelength must maintain the temperature and the injection current constant to the required values. The

wavelength of the laser beam can be changed by altering the temperature. The wavelength increases with rising temperature. This is due to the fact that with rising temperature the refractive index and the length of the active zone, and therefore of the resonator, are increased.

Above a certain temperature the mode no longer fits into the resonator and a different one oscillates for which the conditions are now more favourable. Since the mode interval of the extremely short resonator (typically 300 μm) is very large, the mode jump is about 0.3 nm. If the temperature is reduced, the laser jumps back in its wavelength again. The return jump does not necessarily take place into the initial mode.

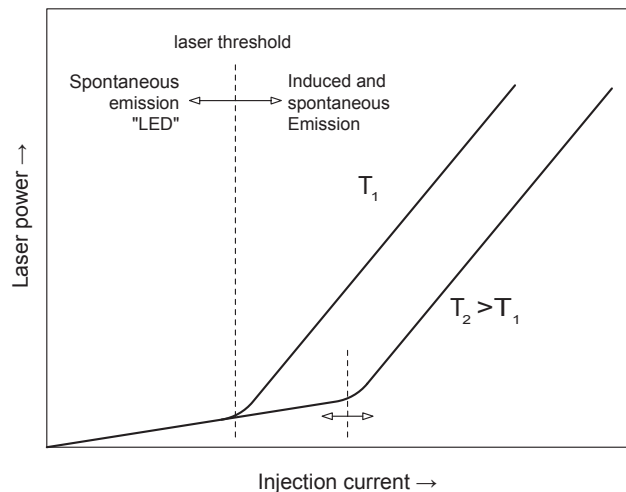


Fig. 3.4: Dependence of Laser power on the injection current with the temperature as a parameter

Applications which rely on correct variable tuning of the wavelength of the laser diode should be carried out in a region of the curve in Fig. 3.3 that is remote from any jumps. Similar behaviour is also observed when the injection current, and therefore the laser output power, is varied. Here the change in wavelength arises mainly due to the increase in the refractive index which in turn is due to the rise in charge carrier density in the active zone. With higher output power the temperature also rises due to losses in the form of heat in the active zone. The dependence of the current, and therefore the output power, on the temperature is typical for semiconductors (Fig. 3.4). It is therefore essential that in practical operation the beam power is continually monitored.

To achieve this, a photodiode is built into the laser housing and the photodiode supplies a signal which is independent of temperature and which is proportional to the beam power. This signal is used as input for a control circuit with which the laser current is corrected and laser power maintained constant.

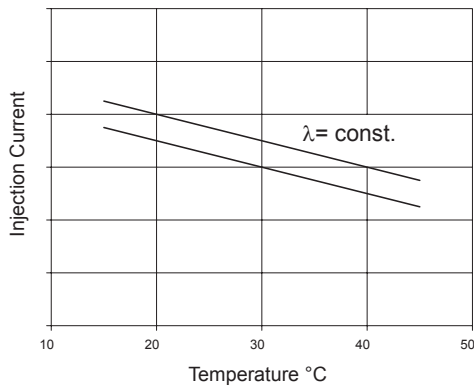


Fig. 3.5: Injection current versus temperature for constant wavelength, shown for two different wavelength

The wavelength of the laser diode can be expressed as a function the two variables temperature T and injection current I in the following equation:

$$\begin{aligned} \lambda(T, I) = & \lambda(T_0, I_0) + \alpha_T \cdot (T - T_0) + \alpha_I \cdot (I - I_0) \\ & + \alpha_T^2 \cdot (T - T_0)^2 + \alpha_I^2 \cdot (I - I_0)^2 \\ & + \dots + \alpha_T^n \cdot (T - T_0)^n + \alpha_I^n \cdot (I - I_0)^n \end{aligned}$$

For practical considerations it is sufficient to use only the linear terms of the above equation. This approximation is good for $\delta\lambda/\lambda > 10^{-6}$. For operation at constant wavelength,

$$\lambda(T, I) = \text{const.} = \lambda_c,$$

the equation can be written as:

$$I = I_0 + \frac{1}{\alpha_T} (\lambda - \lambda_0) + \frac{\alpha_T}{\alpha_I} \cdot (T - T_0)$$

Once this curve is measured as it will be done later, the important coefficients α_T and α_I can be determined.

4.0 Second Harmonic Generation

4.1 Introduction

The saying “to shed light upon a matter” means, more or less, to “illuminate” facts that are unclear. In 1644 Rene Descartes published his metaphysical ideas on the essence of light. Since then, people have been trying to shed light upon “light” itself. According to his ideas, light consists of scattered particles which have different speeds in different bodies. In 1667, R. Hooke claimed that this was all nonsense. He was the first person who thought that light consisted of quick oscillations. Huygens demonstrated light ether in 1690.

In 1717 Newton proved that light has a transversal property. At that time, however, people could only imagine longitudinal waves, so Newton rejected the wave theory of light completely. Newton’s authority over the subject prevented the formulation of the wave theory of light for 100 years.

Unaffected by the dispute over the essence of light, James Clerk Maxwell summarised the electrical and magnetic appearances in a system of mathematical equations.

In 1856, when Kohlrausch and Weber found out through measurements that the speed of electromagnetic waves was the same as that of light, Maxwell came to the conclusion that light is an electromagnetic oscillation.

In 1888 Heinrich Hertz was able to give experimental proof of electromagnetic waves. As can be easily imagined, due to the various interpretations on the nature of light it took a long time for the electromagnetic theory to be recognised as a basis for the sum of the physical experiences which could not be reduced any further.

But, as we now know, even this theory has its limitations. It is possible to explain all appearances which occur in light scattering using this theory. However, it fails in the case of the emission and absorption of light.

Max Planck was able to solve the problems in this area with his famous formula

$$E = h\nu.$$

According to this formula light possesses both qualities, i.e. corpuscular as well as wavelike qualities. This paradoxical formula could finally be clarified through quantum mechanics. There was a further change in classic optics in the sixties of this century when lasers were discovered. For the first time, light was subjected to an unusually high intensity. People observed appearances such as the optical frequency doubling which led to the formulation of non-linear optics. In classic, i.e. linear optics, the scattering of light in matter is described by both optical constants dependent on the frequency, the refractive number n and the absorption coefficient α . In present linear optics, these variables are independent of the intensity of the light falling in. Reflection, refraction, scattering speed and weakening of light are therefore constants of the relevant medium and are not dependent on the light intensity. This resulted in two important principles used everywhere in optics: The superimposition principle (interference) and maintaining the frequency. Both these conditions are only valid in relatively small light intensities as can be obtained from normal light sources. Neither the superimposition principle nor the conservation of frequency apply to the high intensities of lasers. Therefore, linear optics is only

specifically applicable to small light intensities. The following explanations concern optical frequency doubling as it is carried out later with the radiation of a Nd YAG-Laser.

4.2 Interaction of light and matter

The appearances observed on the basis of the interaction between light and matter can, in principle, be divided into two groups.

- A. resonant phenomena
- B. non-resonant phenomena

In the case of resonant light the incoming radiated light has an energy of $E = h\nu$, which corresponds to the energetic distance of a transition. Electrons of the atoms or molecules in their original position are transferred to E_1 which is in an excited state. In the example of non-resonant light, the energy of the incoming radiated light is much smaller than the energetic interval of the observed transition.

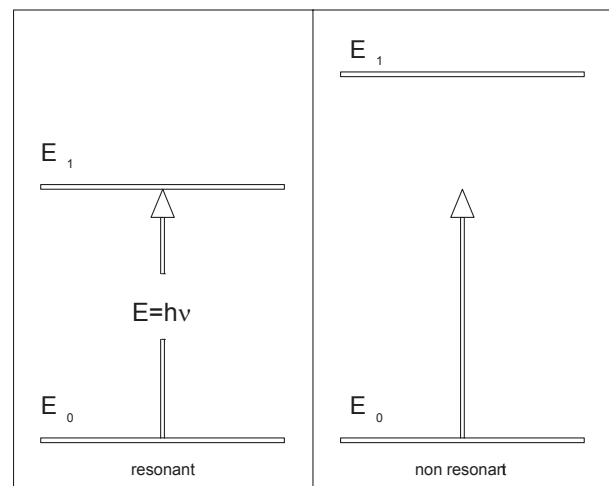


Fig. 4.1: Incoming radiated light is resonant to a transition of the sample (left) and non-resonant (right) for a material with another transition

There is still an interaction, in which, however, no transition of the electrons takes place. The interaction occurs through the electromagnetic property of light together with the electromagnetic property of matter. We now want to promote the fact that our material does not conduct electricity and that it is not magnetic. This is the case for almost all optically transparent materials from which components suitable for optics, such as lenses, prisms, crystals etc. are made. The interaction of light is reduced on the electrical qualities by the selection of the material. These qualities are described using Maxwell’s equations.

4.3 Non-linear Optics

For a more vivid explanation it is helpful to imagine the electrons as elastic particles bound to the nucleus.

An electrical field drives the electron out of its position of rest and produces a dipole (or changes an already existing dipole). If the electrical field is periodic, then the driving out process (dielectric polarisation) will also be periodic and the dipole will radiate with the same frequency as the electrical field producing it but with a phase shift. This phase shift is responsible for the fact that the phase speed of light in matter is apparently slower than in a vacuum.

The photons do, in actual fact, always move at the speed of light in a vacuum. There is, of course, a vacuum between the atoms. The starting point for radiation in a medium are the incoming radiated photons which for their part, excite the dielectric polarisation dipoles. These pass on the radiation with a phase shift from dipole to dipole. If the entering photons had to be marked in colour, very few of the coloured ones would appear at the exit of the sample, but a number of the ones that are not marked would exit. When light is radiated into a transparent sample, the electrical field vector of light corresponds to the field E . If the field intensity of the light radiated is increased, so is the displacement of the electrons.

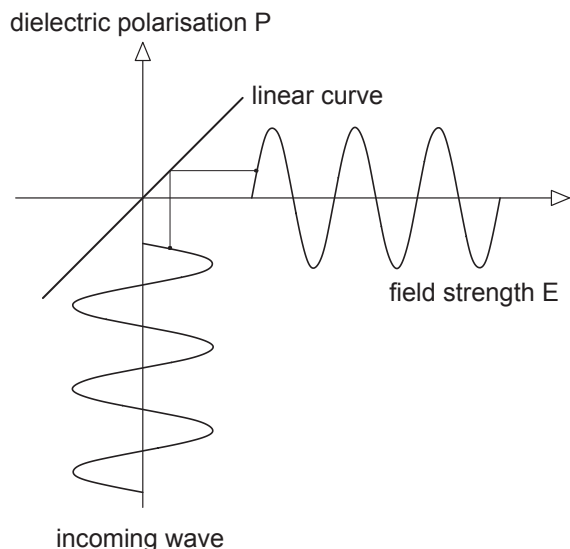


Fig. 4.2: Displacement of the electrons through an electrical field E

The displacement of the electrons depends not only on the field intensity, but also on the “spring constant” of the binding of the electron to the nucleus (susceptibility). If the field strength or the susceptibility is large enough, the displacement becomes so big that the connection between the power and displacement, analogous to the diversion of a spring over the area of proportionality (Hooke’s Law), is not linear any longer.

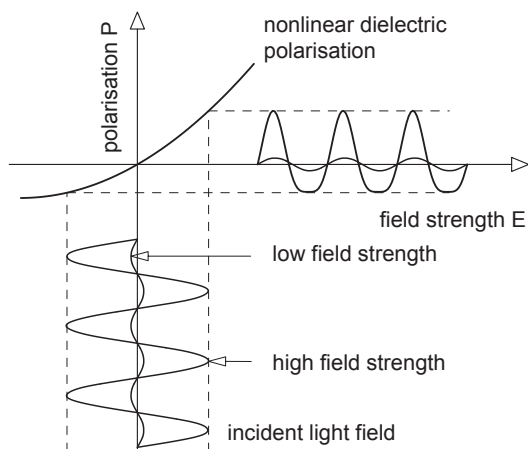


Fig. 4.3: Increased light field

The polarisation now contains frequencies which the driving field strength did not originally contain. In the example shown in Fig. 4.2 the polarisation takes place in a linear position to the field intensity according to:

$$P = \chi_L \cdot E \quad (4.1)$$

χ_L is the susceptibility. In the example shown in Fig. 4.3 the relation is not linear any longer, due to the high field intensity, but

$$P = \chi_L \cdot E + \chi_{NL}^2 \cdot E^2 \quad (4.2)$$

Even higher terms occur as the field intensity increases further. The cause for the frequency doubling is, however, the quadratic term. Since electromagnetic oscillation is a result of the polarisation and it is not harmonic, light waves will now occur with frequencies which are not contained in the exciting light.

4.4 Frequency doubling

A Fourier analysis shows that in this case, a further frequency occurs apart from the fundamental oscillation.

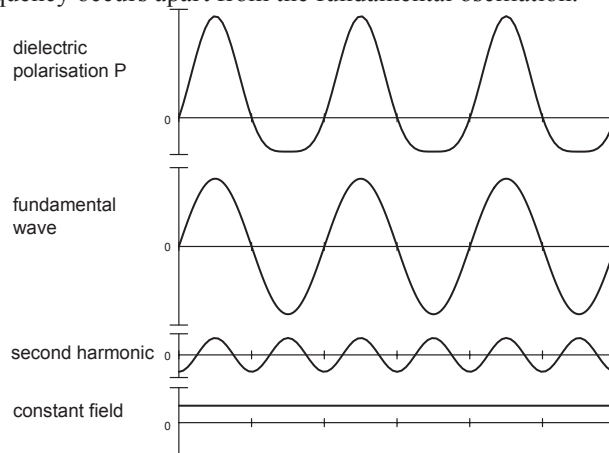


Fig. 4.4: Occurrence of a wave with double frequency and of a constant inner electrical field as well as the original fundamental wave

If, for example, the radiation of the Nd:YAG laser is transmitted through a suitable doubling crystal, then a radiation of 532 nm occurs apart from the fundamental wave at 1064 nm. This is a green radiation which is very clearly visible. If the intensity of the green radiation is high enough, this can be transferred again with a further crystal in UV radiation at 266 nm. Limits are only set by the availability of suitable doubling crystals. What properties should this kind of crystal possess? As we can see in Fig. 4.3, the susceptibility, i.e. the scale used for it is very large and an electron can be displaced very easily. It is also important that the electron is in a potential that is strongly anharmonic. This property can be found in some crystals which do not allow the electrons to be displaced evenly in all directions because of their grid structure. Another important factor is that the material should be such that the doubling and incoming waves are not absorbed.

4.5 Phase matching

An important question is, of course, the degree of effectivity η_{SHG} , for the production of the doubled radiation. It depends on the variable of a non-linear constant C , on the used length L of the crystal used and on the intensity of the radiation of the fundamental wave.

$$\eta_{\text{SHG}} = \frac{P_{2\nu}}{P_\nu} = C \cdot I_\nu \cdot L^2 \cdot F(\delta k) \quad (4.3)$$

$P_{2\nu}$ denotes the power of the doubled radiation,
 P_ν the power of the fundamental wave,
 $I_\nu = P_\nu / A$ is the intensity of the fundamental wave, or the power P with regard to the beam cross section A and L the length of the crystal.

$$F(\delta k) = \frac{\sin^2\left(\delta k \cdot \frac{L}{2}\right)}{\left(\delta k \cdot \frac{L}{2}\right)^2} \quad (4.4)$$

$F(\delta k)$ is a function whose value and thus the degree of efficiency becomes maximum when $\delta k = 0$, i.e.

$$\delta k = k_{2\nu} - k_\nu = 0$$

$k_{2\nu}$ is the wave number of the doubled wave and k_ν is the wave number of the fundamental wave. When $\delta k = 0$ the so called phase matching condition is fulfilled. This can be easily concluded from the following observation. Let us assume, for the time being, that the doubling crystal is a black box and let us look at the conservation of energy and impulses.

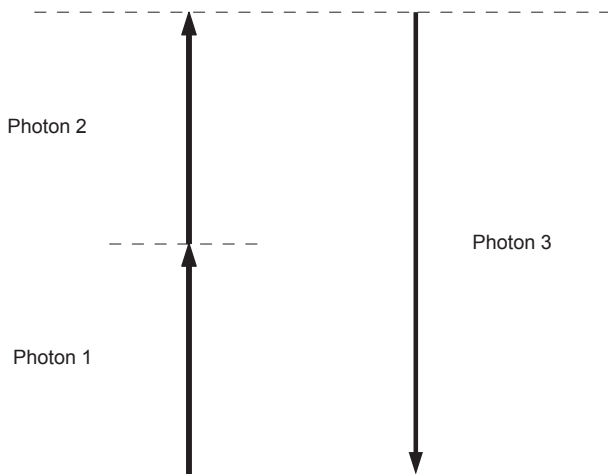


Fig. 4.5: Formation of photon 3 from photon 1 and 2

Photon 3 is formed out of the photons 1 and 2. Since photons 1 and 2 are identical to the frequency doubling in this case, photon 3 possesses the energy

$$E_3 = E_{2\nu} = E_1 + E_2 = 2 \cdot h \cdot \nu \quad (4.5)$$

The conservation of the impulses is also the same since there is no other mechanism that can take an impulse J .

$$J_3 = \frac{h}{2 \cdot \pi} \cdot k_{2\nu} = J_1 + J_2 = \frac{h}{\pi} \cdot k_\nu \quad (4.6)$$

This means $k_{2\nu}$ has to be equal to $2 k_\nu$ for a correct energy and impulse balance. The frequency doubling occurs with the highest degree of efficiency when the sum and the di-

rection of the impulses are maintained.

Since $k = \frac{2 \cdot \pi}{\lambda}$ in vacuum and $k = \frac{2 \cdot \pi}{n(\nu) \cdot \lambda}$ in matter, the phase matching condition

$$n(2 \cdot \nu) = n(\nu) \quad (4.7)$$

is a result of equation (4.6).

If the index of refraction $n(2\nu)$ of the doubled radiation is the same as the index of refraction $n(\nu)$ of the fundamental wave, the conversion occurs at the highest degree of efficiency. This is not possible due to the normal dispersion. Therefore birefractive crystals are used with which the various refractive figures of the ordinary and extraordinary beams are exploited. If radiation occurs at a particular angle with regard to the optical axis of the crystal, the condition for phase matching can be fulfilled. This type of matching is known as angle matching and is the type which is mainly used.

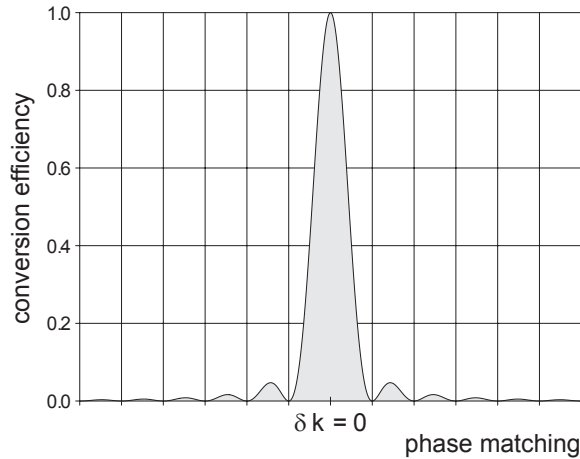


Fig. 4.6: Efficiency of the frequency doubling as a function of phase matching according to Eq. (4.4)

If radiation does not take place exactly at the matching angle the degree of efficiency will be reduced considerably. In the case of deviations within $\pm 2^\circ$ (acceptance angle) we can still observe a frequency doubling, for example, in the case of KTP (Potassium Titanyl Phosphate). In practice the crystals are fixed onto adjustable holders to achieve the best possible degree of efficiency.

A further important aspect for the conversion efficiency is, according to equation (4.3), the intensity of the fundamental wave. Therefore two things must be observed when setting up an experiment:

1. A maximum possible fundamental wave power should be produced.
2. The highest possible intensity should be created through focusing.

This is why the frequency doubling is carried out inside the resonator in a further experiment. The power of a laser is much higher within the resonator than outside. In addition the doubling crystal is positioned in the beam waist. A KTP crystal is used in the experiment as a doubling crystal. KTP stands for the compound $K \text{ TiO PO}_4$, Potassium Titanyl Phosphate and is a positive ($n_o > n_{ao}$) crystal with

two axes. This means that extraordinary refraction occurs in different ways in the X and Y directions. The wavelength dependency of the refractive index is given in the following equations for KTP and in Fig. 4.7.

$$n_x^2 = 2.10468 + 0.89342 \lambda^2 / [\lambda^2 - 0.004438] - 0.01036 \lambda^2$$

$$n_y^2 = 2.14559 + 0.87629 \lambda^2 / [\lambda^2 - 0.0485] - 0.01173 \lambda^2$$

$$n_z^2 = 1.9446 + 1.3617 \lambda^2 / [\lambda^2 - 0.042] - 0.01491 \lambda^2$$

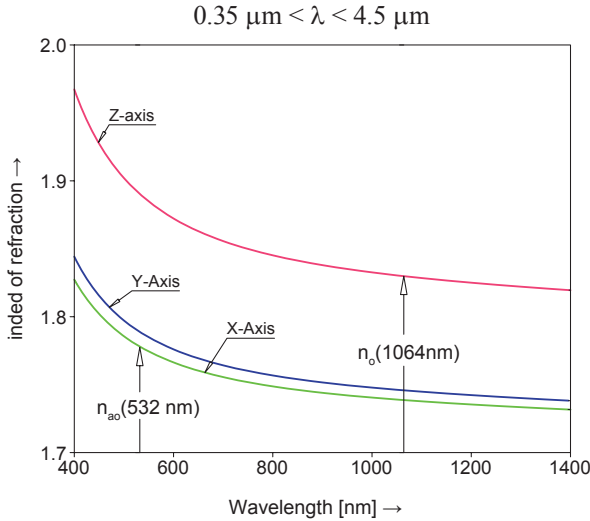


Fig. 4.7: Dispersion of KTP

The condition $n(2\nu) = n(\nu)$ must be fulfilled. This condition can be fulfilled because the value of the extraordinary refractive index depends on the angle θ to the optical axis Z of the KTP crystal whereas the ordinary index does not. If the fundamental wave (laser beam at 1064 nm) is beamed in at a particular angle then $n(2\nu) = n(\nu)$. This angle is given by the intersection of the ellipse $n_{eo}^{2\nu}(\theta)$ with the circle n_o^ν (Fig. 4.8).

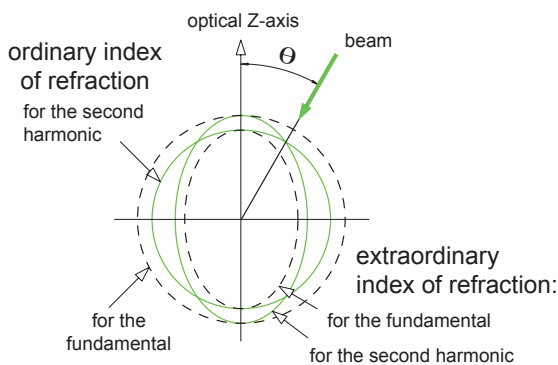


Fig. 4.8: Index ellipsoid and phase matching for $n(2\nu) = n(\nu)$

According to geometric considerations based on Fig. 4.8 the angle θ can be calculated with the following equation.

$$\sin^2(\theta) = \frac{n_o^{-2}(\nu) - n_o^{-2}(2\nu)}{n_{eo}^{-2}(2\nu) - n_o^{-2}(2\nu)}$$

The refractive indices in each case can be calculated from the dispersion curves.

The KTP crystal is then cut in such a way that the laser beam meets the crystal and the optical axis at the angle θ .

Finally we will discuss the power of the frequency doubled wave. Once the phase matching has been ensured, then

$$P_{2\nu} = \frac{C \cdot L^2}{A} \cdot P_\nu^2$$

according to equation (4.3).

After this, the power $P_{2\nu}$ of the frequency doubled wave increases quadratically with the power P_ν of the fundamental wave.

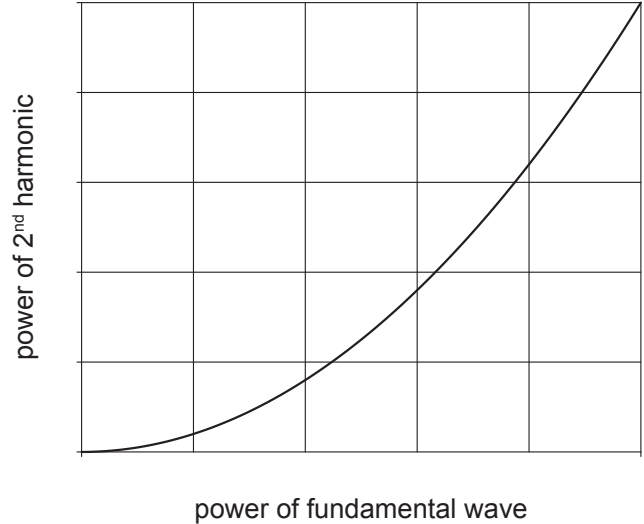


Fig. 4.9: Quadratic relation between the power of the fundamental waves and that of the second harmonic.

Furthermore, it has been determined that there is no threshold in this process. Set-ups and arrangements for the efficient carrying out of the frequency doubling should therefore be selected. These should produce as large as possible powerful fundamental. Since, for example, the Q-switch operation leads to a considerable increase in power, this method is explained in greater detail with the Nd-YAG laser although it will not be carried out in this experiment. We have not yet discussed the constant C in detail.

$$C = 2 \cdot \left(\frac{\mu_0}{\epsilon_0} \right)^{3/2} \cdot \omega^2 \cdot \frac{d_{ik}}{n^3}$$

μ_0 denotes the induction constant, ϵ_0 the influence constant, $\omega = 2\pi\nu$ the angular frequency, n the index of refraction of the crystal and d_{ik} are components of the susceptibility tensor χ . Till now we have considered χ as a number, i.e. the medium observed was isotropic. This is not valid for the crystals used here. We will develop the ideas to the extent that we will accept \vec{P} and \vec{E} as vectors.

$$\vec{P} = (P_x, P_y, P_z) \quad \text{and} \quad \vec{E} = (E_x, E_y, E_z)$$

$$\vec{P} = \chi_L \cdot \vec{E} + \chi_{NL} \cdot \vec{E}^2$$

This means that χ_L and χ_{NL} are now matrices. They are known as tensors because they have the qualities which make it possible to turn and stretch a vector \vec{E} to \vec{P} . We are only interested in the non-linear part.

$P_{NL} = \chi_{NL} [E_x^2 + E_y^2 + E_z^2 + 2E_z E_y + 2E_z E_x + 2E_x E_y]$
In terms of vectors and tensors the above equation would be written as follows:

$$\begin{pmatrix} P_x \\ P_y \\ P_z \end{pmatrix} = \begin{bmatrix} d_{11} & d_{12} & d_{13} & d_{14} & d_{15} & d_{16} \\ d_{21} & d_{22} & d_{23} & d_{24} & d_{25} & d_{26} \\ d_{31} & d_{32} & d_{33} & d_{34} & d_{35} & d_{36} \end{bmatrix} = \begin{pmatrix} E_x^2 \\ E_y^2 \\ E_z^2 \\ 2E_z E_y \\ 2E_z E_x \\ 2E_x E_y \end{pmatrix}$$

the fundamental wave. Apart from the phase matching we have now taken into consideration the demands placed by the tensor in non-linear polarisation. The condition for frequency doubling is, therefore, that the fundamental wave is polarised in a defined manner. We have, until now, assumed that KTP is a crystal with only one axis. This was to make the observations simpler. There is, however, very little difference between both extraordinary refractive indices compared with the ordinary one (Fig. 4.7).

KTP is an orthorhombic crystal of the type mm 2 with the following non-linear tensor χ_{nl} .

$$\chi_{NL} = \begin{pmatrix} 0 & 0 & 0 & 0 & d_{15} & 0 \\ 0 & 0 & 0 & d_{24} & 0 & 0 \\ d_{31} & d_{32} & d_{33} & 0 & 0 & 0 \end{pmatrix}$$

The following is the result for non-linear polarisation based on the above equation:

$$\begin{aligned} P_x(2\nu) &= 2 \cdot d_{15} \cdot E_z \cdot E_x \\ P_y(2\nu) &= 2 \cdot d_{24} \cdot E_z \cdot E_y \\ P_z(2\nu) &= d_{31} \cdot E_x^2 + d_{32} \cdot E_y^2 + d_{33} \cdot E_z^2 \end{aligned}$$

According to Fig the phase condition has been adjusted because the fundamental wave runs as an ordinary beam in the crystal at an angle θ to the optical axis. Therefore the fundamental wave does not possess any component which oscillates in the Z direction, i.e. E_z is zero. The second harmonic oscillates as an extraordinary wave out of necessity since $P_x(2\nu)$ and $P_y(2\nu)$ are zero according to the above equations.

$$\Rightarrow P_z(2\nu) = d_{31} \cdot E_x^2 + d_{32} \cdot E_y^2$$

Now $P_z(2\nu)$ has to be maximised. Since $E_x^2 + E_y^2 = E_0^2$ this is fulfilled for

$$P_z(2\nu, \theta) = d_{31} \cdot E_x^2 \cdot \sin^2(\theta) + d_{32} \cdot E_y^2 \cdot \cos^2(\theta)$$

$$\frac{E_x^2}{E_y^2} = \frac{d_{32}}{d_{31}} \cdot \frac{\cos^2(\theta)}{\sin^2(\theta)} = \tan^2(\phi)$$

For KTP the values of the d_{ik} are:

$$\begin{aligned} d_{31} &= 6.5 \cdot 10^{-12} \text{ m/V} \\ d_{32} &= 5.0 \cdot 10^{-12} \text{ m/V} \\ d_{33} &= 13.7 \cdot 10^{-12} \text{ m/V} \\ d_{24} &= 7.6 \cdot 10^{-12} \text{ m/V} \\ d_{15} &= 6.1 \cdot 10^{-12} \text{ m/V} \end{aligned}$$

The azimuth angle ϕ of the incoming beam must be adjusted to the XY axis of the crystal to achieve a maximum power of the second harmonic so that this relationship of the amplitudes towards the crystal axis is adjusted. In practice the crystal is turned around the entering axis of

5.0 Q-switch

One distinguishes between two general kinds of Q-switching. They are termed active if the moment of switching can be determined by the operator and termed passive when the moment of switching is controlled by the laser process itself.

5.1 Mechanical Q-switch

At the beginning of the laser technique one uses due to the lack of better methods rotating apertures or laser mirrors as shown in Fig. 5.1. In this set-up a wheel with laser mirrors ground on the wheel turns with an angular velocity ω . If one of the mirrors is in exact position with respect to the optical axis of the resonator the Q reaches its maximum. In all other cases "the resonator is not a resonator"

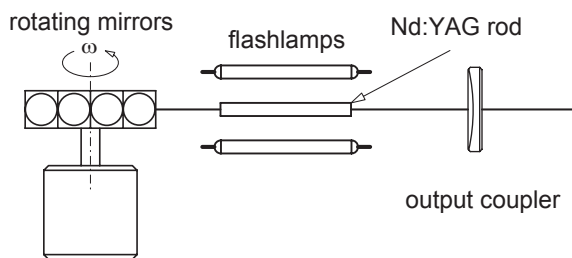


Fig. 5.1: Mechanical Q-switch with rotating mirrors.

5.2 Optical Q-switch

These more modern proven devices are until nowadays in use.

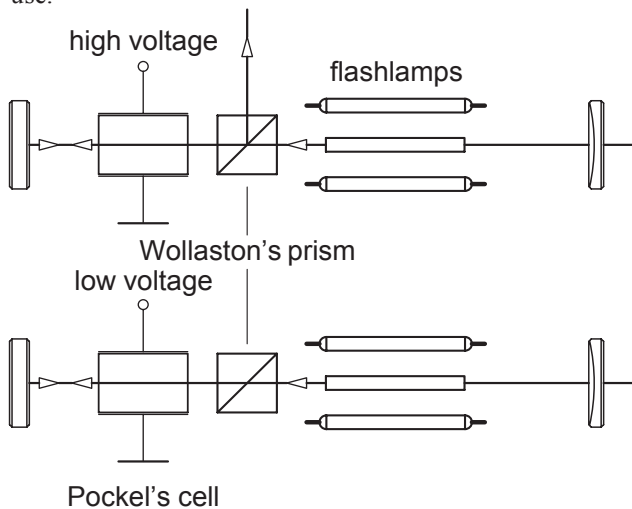


Fig. 5.2: Electro-optical Q-switch device

The Pockel's cell consists of a crystal which becomes bi-refracting under the influence of an electrical field. At a certain voltage this crystal acts as a quarter wave plate. The light (stimulated emission) which has a defined state of polarisation due to the polarising beam splitter passes through the cell. Depending on the applied voltage to the cell the light stays inside the resonator (high Q) or it leaves it via the beam splitter (low Q). This set-up is mainly used for pulsed (flash lamp pumped) Nd:YAG laser. For cw YAG laser with only a few percent of output coupling the damping of the above device is not sufficient for secure suppressing of laser oscillation. For cw pumped systems the acousto-optic Q-switch of Fig. 5.3 is better suited.

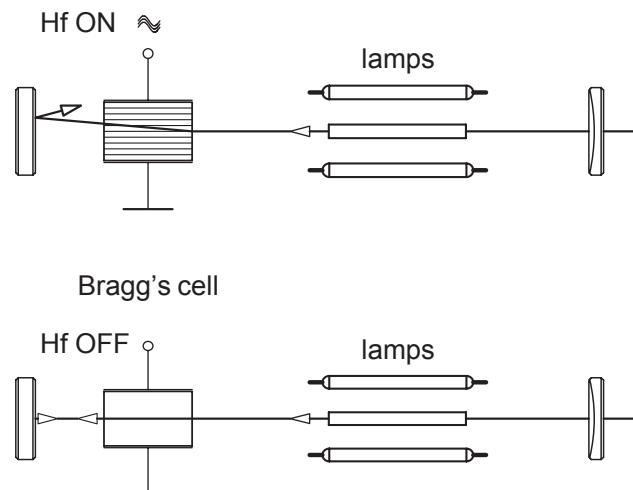


Fig. 5.3: Acousto-optic Q-switch device

In this set-up a standing sound wave is introduced by applying a periodic electrical field to a crystal. The generated sound waves produce a periodic compression and decompression of the crystal which leads to a spatial variation of the index of refraction inside the crystal causing a deflection of the passing light. When the applied electrical field is switched off the light travels uninfluenced through the crystal, the Q value now is high.

5.2.1 Passive Q-switch

This technique is used in our later experiment. Its splendid advantage lies in the fact that these devices are very cheap compared to the active drivers. One only needs a material whose absorption can be bleached under the irradiation of the light from the stimulated emission in a laser resonator. They only have one disadvantage, the timing of the switching can not be controlled as the term "passive" indicates. The effect of bleaching a material by light is a nonlinear optical effect which is explained with the following simple two level rate equation model.

In analogy to the previous rate equation model for four levels the model for two levels is derived. For the level E1 the change with time of the population density due to absorption is given by:

$$\left. \frac{dN_1}{dt} \right|_{\text{absorption}} = -B_{12} \cdot \rho(\nu) \cdot N_1 = -W_{12} \cdot N_1$$

The absorption process populates level 2:

$$\left. \frac{dN_2}{dt} \right|_{\text{absorption}} = B_{12} \cdot \rho(\nu) \cdot N_1 = W_{12} \cdot N_1$$

Processes of spontaneous and induced emission are depopulating level 2 by the rate:

$$\left. \frac{dN_2}{dt} \right|_{\text{spont.}} = -A_{21} \cdot N_2$$

$$\left. \frac{dN_2}{dt} \right|_{\text{induced}} = B_{21} \cdot \rho(\nu) \cdot N_2 = W_{21} \cdot N_2$$

In the stationary case where $dN_2 / dt = 0$ the solution is:

$$\frac{N_2}{N_1} = \frac{W_{12}}{W_{21} + A_{21}}$$

For high values of the pump rate ($W_{12} \gg A_{21}$), N_2 / N_1 becomes app. 1. This means that the number of absorbed photon becomes the same as the emitted ones. In this case the medium is transparent.

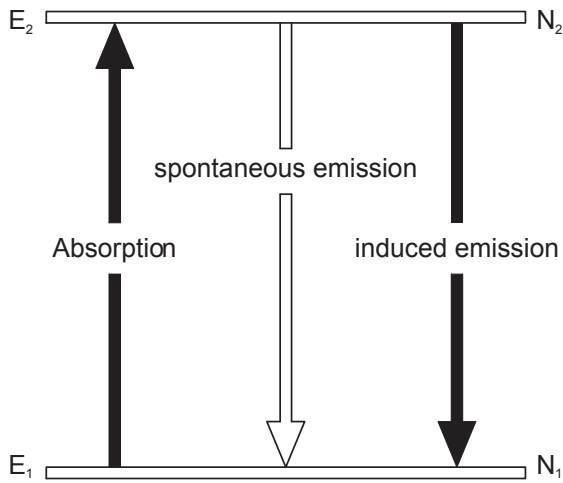


Fig. 5.4: Two level system

All kinds of two level systems can become transparent under the irradiation of light, but they differ in the necessary amount of light intensity. There exist a number of suitable saturable absorber, for instance dyes in solution or embedded in solids.

These kinds of absorber have the disadvantage that they are not stable enough for the long times necessary for laser applications. As a suitable candidate Lithium Fluoride (LiF^{2+}) containing x-ray induced colour centres which are responsible for the saturable absorption at 1064 nm has been proven best in the past years. The density of the colour centres has to be chosen in such a way that the laser oscillation is prevented due to the initial absorption. A better solution meanwhile is the Cr:YAG crystal which production is less complex since no x-ray treatment is required. The increasing stimulated emission starts to bleach the crystal to a value where the laser reaches its threshold. The incipient laser light drives the crystal to higher transmission. Nearly the complete surplus inversion turns into the photon field inside the resonator and a giant pulse is generated.

After the emission of the pulse the laser oscillation is interrupted due to the reduction of the inversion. The crystal becomes absorptive and the process of bleaching starts again.

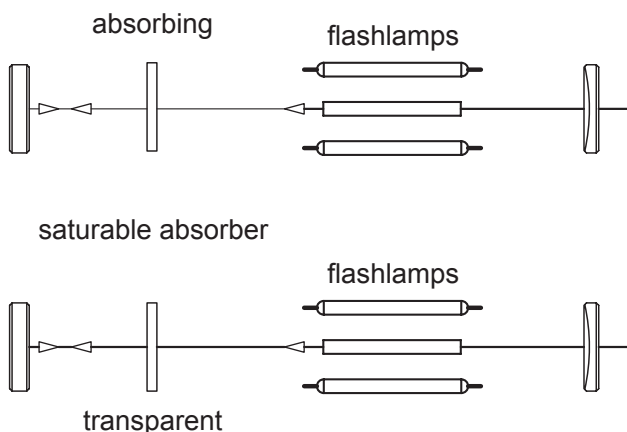


Fig. 5.5: Passive Q-switch with saturable absorber

5.2.2 Pockels's cell

In the search for an optical switch which could be switched on and off within a few nanoseconds (10^{-9} sec), it soon became clear that no mechanical concepts could be considered. As electrical signals were switched on with corresponding speed, the search was on for an element without any moving mechanical parts, which could follow a very fast electrical field. Many different electro-optical effects which were known for a long time were considered. However, a suitable optical material which on one hand did not require a very high voltage potential and on the other hand was optically very pure, was not found. These qualities were essential because the optical switch was to be used in a Laser resonator and thus its losses had to be very small. Over and above that, extremely high maximum outputs/peaks are produced in a Q-switch, which should not damage the crystal. Already in 1893, Pockels had shown that the addition of voltage on an optical medium, changes its refractive index.

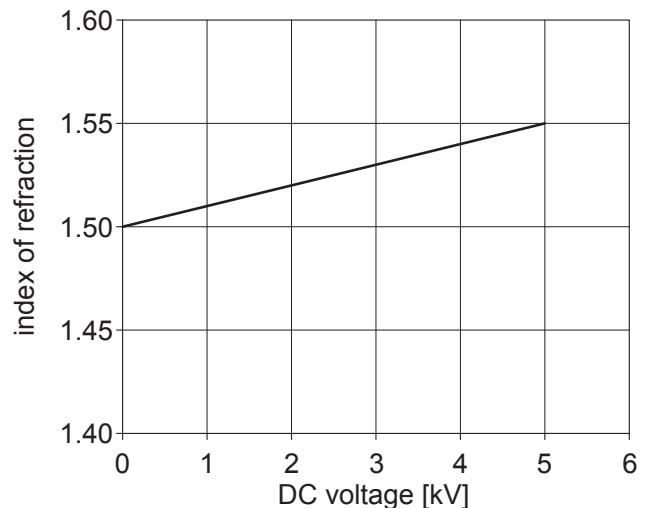


Fig. 5.6: Linear electronic effect(Pockels effect)

$$n = n_0 \cdot (1 + \alpha \cdot E)$$

n_0 is the refractive index without adding outer voltage, α is a material constant and E is the added voltage. However till now we have not realised a switch, as a variation in the refractive index does not cause any change in the amplitude of the intensity of light. When a double refracting crystal is used as an optical medium, then the refractive index for the ordinary (OR) and the extra-ordinary axis (EO) changes.

$$n^{OR} = n_0^{OR} \cdot (1 + \alpha^{OR} \cdot E)$$

$$n^{EO} = n_0^{EO} \cdot (1 + \alpha^{EO} \cdot E)$$

If the material constants α^{OR} and α^{EO} are different from each other, then the difference in the refractive indices $dn(E)$ is dependent on the given voltage E .

$$dn(E) = n^{OR} - n^{EO}$$

$$dn(E) = n_0^{OR} - n_0^{EO} + (n_0^{OR} \cdot \alpha^{OR} - n_0^{EO} \cdot \alpha^{EO}) \cdot E$$

First we will adhere to this result.

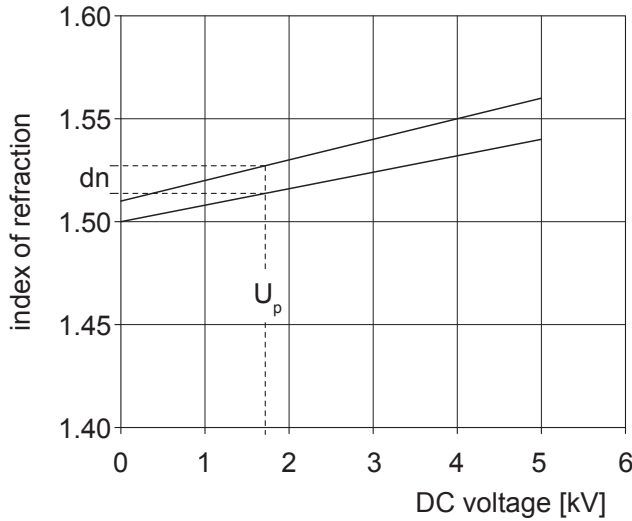


Fig. 5.7: Linear electro-optical effect of a double refracting material.

Let us recall the working of a quarter wave plate (also called the lambda / 4 plate). Such a plate is made up of a double refracting crystal, e.g. natural quartz. Such a crystal is optically not isotropic. Because of its natural crystal-line growth, it has two optical directions which are caused by the asymmetry of the crystal cells.

One can imagine the inner structure of a crystal to be like that of a forest of well ordered antennae. There are as many antennae which receive vertical polarised radiation. These antennae are actually dipoles, which again radiate the received radiation after a certain time.

The light wave falling on the crystal will be taken up by the dipoles, one after the other and then radiated back. The light wave slows down while passing through the crystal. Because of the two types of the dipoles, two different speeds of light are produced in the crystal.

If light with a polarisation of 45° is beamed into an “antennae forest”, then the intensity of the light is distributed equally among the dipoles, because the light with the polarisation of 45° can be interpreted as an overlap of orthogonal components.

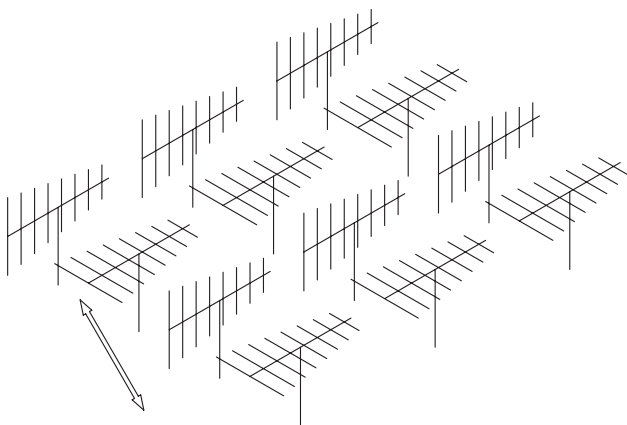


Fig. 5.8: Double refractive crystal as a number of orthogonal dipoles.

At the exit from the crystal, a phase shift is observed be-

tween S and P components due to the different speeds of the components in the crystal. Let’s refer back to the relation:

$$\frac{1}{n} = \frac{v}{c}$$

where n is the refractive index, v is the speed of light in the medium with the refractive index n and c the speed of light in a vacuum. Because of the two different speeds of light in a crystal, obviously two different refractive indices are existing

$$\frac{v^{OR}}{c} = \frac{1}{n^{OR}} = \frac{\lambda^{OR}}{\lambda}$$

$$\frac{v^{EO}}{c} = \frac{1}{n^{EO}} = \frac{\lambda^{EO}}{\lambda}$$

We use the relation:

$$\nu = \frac{c}{\lambda} = \frac{v^{OR}}{\lambda^{OR}} = \frac{v^{EO}}{\lambda^{EO}}$$

where ν is the frequency of light, λ is the wavelength and λ_m the wavelength in a medium, in which the speed of light is v. Care is to be taken that the frequency is of a sustainable magnitude. The energy E of a light wave is:

$$E = h \cdot \nu$$

and no energy from the light wave should be given up to the medium. Note: The frequency of a light wave does not change in a medium, only the wavelength, and therefore the speed. This is valid as long as the medium is optically linear. After leaving the crystal, both the partial waves again move with the same speed, which is determined by the refractive index of e.g. Air. But now they have a steady phase shift ρ in respect to one another. As shown in Fig. 5.9, this phase shift ρ depends on the length d or thickness of the crystal. If one chooses the antennae, as also the thickness of the crystal in such a way that the retardation of the phases measures 90° or $\lambda/4$, then two waves which run into each other are produced.

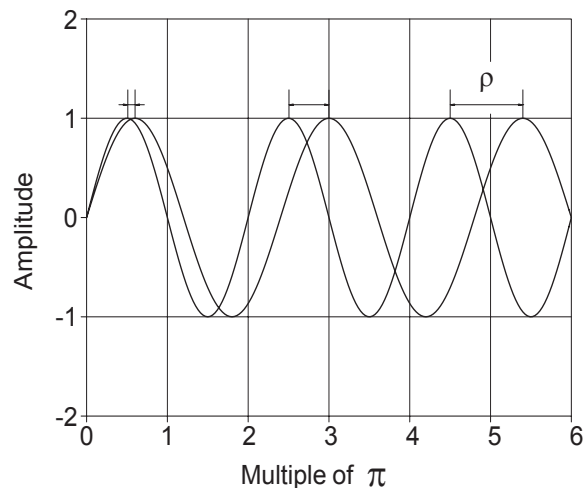


Fig. 5.9: The two waves possess different speeds only inside the crystal

They are polarised perpendicularly with respect to each other and they have a phase shift of 90° or $\lambda/4$ to each other after leaving the crystal. The necessary thickness d here can be calculated easily. For this we use the scalar representation of a light wave moving in a direction x . The wave number is k with

$$k = \frac{2\pi}{\lambda}$$

ω the orbit frequency and t is the time

$$E = E_0 \cdot \sin(k \cdot x + \omega \cdot t)$$

For the situation in the crystal, this means:

$$E^{OR} = E_0 \cdot \sin(k_{OR} \cdot x + \omega \cdot t)$$

$$E^{AO} = E_0 \cdot \sin(k_{AO} \cdot x + \omega \cdot t)$$

For the phase shift ρ to correspond to $\lambda/4$, the following must be valid.

$$(k_{OR} - k_{EO}) \cdot d = \frac{\pi}{2}$$

$$\left(\frac{2\pi}{\lambda_{OR}} - \frac{2\pi}{\lambda_{EO}} \right) \cdot d = \frac{\pi}{2}$$

$$\frac{2\pi}{\lambda} \cdot (n_{OR} - n_{EO}) \cdot d = \frac{\pi}{2}$$

$$d = \frac{\lambda}{4} \cdot \frac{1}{n_{OR} - n_{EO}}$$

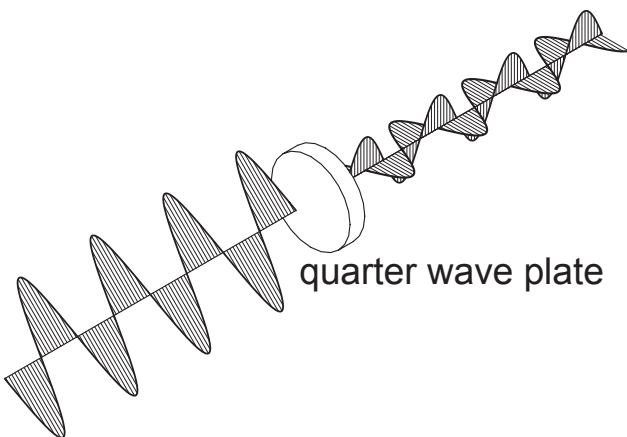


Fig. 5.10: Function of a quarter wave plate

If these intensity components are added as vectors, then the resultant intensity vector rotates with the frequency of the light beam around the axis of radiation. The light is now polarised circular.

Depending on whether the quarter wave plate is met with a irradiation angle of 45° or 135° right or left, circular polarised light is produced. If the thickness of the crystal is chosen for example in such a way that the resultant phase

shift measures $\lambda/2$, then one can be certain that the direction of polarisation of the falling light will be rotated by 90° and with a phase shift of λ it will rotate by 180° . All other phase shifts lead to elliptical polarised light. Let us return to the Pockels Cell. Here it is freely possible to change the value of dn by introducing a uniform voltage and thus produce phase shifts as required.

The polarisation status of the wave coming out can be electrically directed. If we place a polarisation analyser behind the crystal, we can create such a polarisation direction with the help of an electrical field, so that either no light or all the light passes the polariser. Furthermore, all the other transmission factors that are desired can also be adjusted with the help of the voltage.

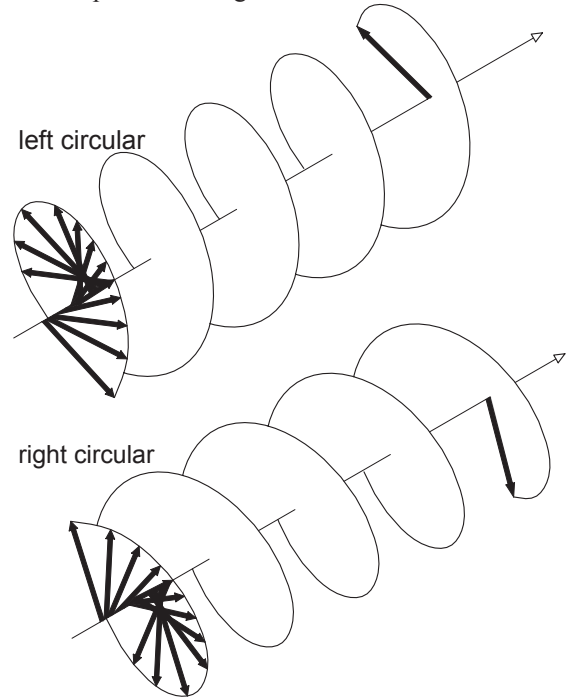


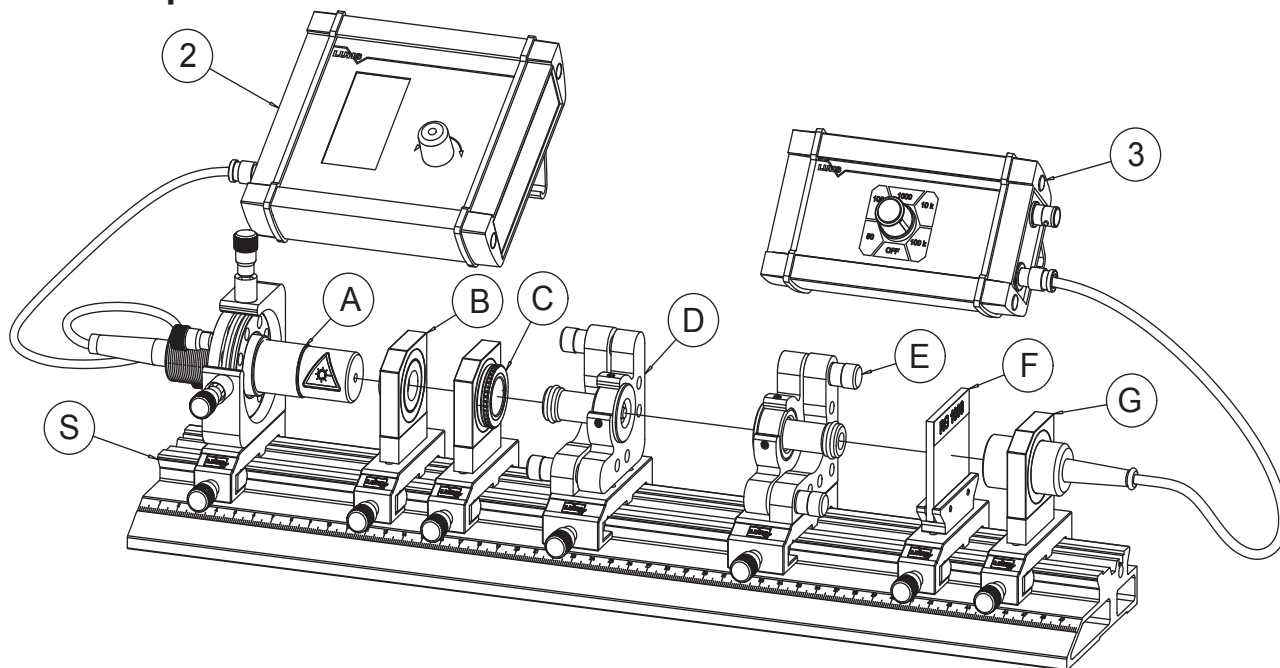
Fig. 5.11: Fig. 5.11: Circular polarised light

So now we possess an element that we can use as an optical switch. We will not be using a polariser in the following experiment, but we will dispose off the polarisation dependent losses in the resonator.

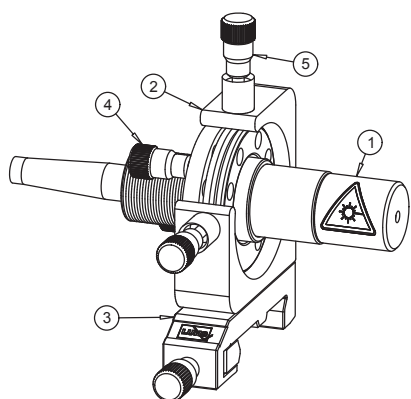
For that, a Brewster window is introduced in the resonator, due to which the laser oscillates in a certain direction of polarisation. As is already known from Fresnel's equations, a light ray which enters a Brewster window parallel to the incidence level, experiences no reflection losses. Opposed to that, the losses increase considerably for all other polarisation directions due to reflection.

If we introduce a Pockels's cell in the resonator, then we can create another polarisation direction through the variation of voltage in the double refracting crystal, which produces such high losses at the Brewster windows, that the laser cannot oscillate or the oscillation will be interrupted. In this way, it is possible to control the quality of the resonator with the help of a Pockels's cell.

6.0 Set-Up and Performance of the Nd:YAG-Laser



6.1 The Modules

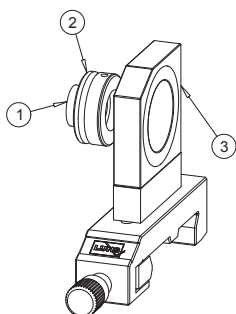


Module A: Diode laser 808 nm 500 mW

This module provides the laser light source (1) consisting of a temperature controlled laser diode. The maximum output power is 500 mW at 20° C. The laser module is fixed into an adjustment holder (2) which is attached to a carrier (3) to place the module onto the optical rail (S) having a length of 500 mm.

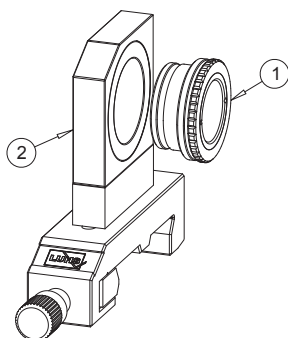
By means of a Peltier's element the temperature of the laser diode can be changed in a range from 15 to 40 °C. To control the injection current as well the temperature the diode laser head is connected to the ED-0020 controller.

The precision fine pitch screws (4 and 5) are used to align the optical axis of the diode laser with respect to the mechanical axis of the set-up.



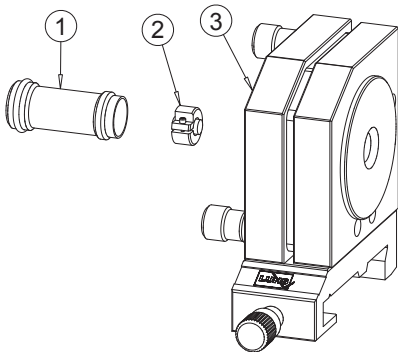
Module B: Collimator

The collimator consists of a three-lens system (1) with a short focal length ($f=8\text{mm}$) and a large aperture in order to collimate divergent laser radiation emitting from the laser diode. The collimator (1) is mounted into a holder (2) which is placed into the mounting plate (3).



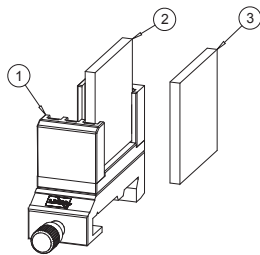
Module C: Focusing unit

This unit is used to focus the collimated diode laser beam into the YAG rod which is mounted in Module D. The lens has a focal length of 60 mm and is mounted into a 25 mm click holder (1). The click holder is inserted into the mounting plate where three spring loaded balls are keeping the holder precisely in position.



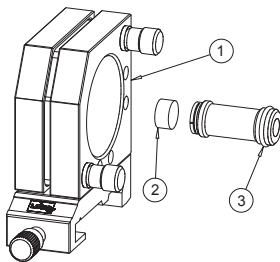
Module D: Laser mirror adjustment holder with Nd:YAG rod

Module D and E form the resonator of the Nd-YAG laser. The adjustable holders have the duty of adjusting the relevant resonator mirror so that the common optical axis is aligned perpendicular to the mirrors. The plane-parallel YAG rod (2), which is 5 mm long and has a diameter of 3 mm, is located in an exchangeable mount (1) in Module D (3). A coating, which is highly reflective at the laser wavelength of 1064 nm, has been placed onto one end of the rod which also forms the left resonator mirror. The coating is designed in such a way that the maximum pump-light radiation can penetrate the highly reflective layer with only 20% losses. The other end of the rod is coated with a high-quality antireflection layer for 1064 nm in order to keep the internal resonator losses as low as possible. In addition the back side of the YAG rod is coated with a high reflective layer for 532 nm in order to redirect the green light to the output of the resonator.



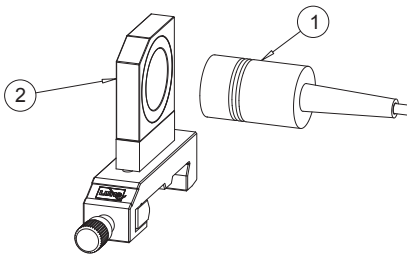
Module F: Filter plate holder

The filter plate holder (1) comes with two filters. The colour filter RG1000 (2) suppresses the pumping radiation of 808 nm. The second filter BG39 (3) allows only the radiation of 532 nm to pass.



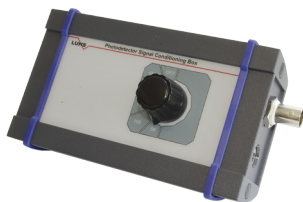
Module E: Laser mirror adjustment holder

This module contains the second resonator mirror (2). Also as with the laser rod, it can be screwed out with its fixture (3) from the holder (1). The mirror has a diameter of 1/2 inch and a radius of curvature of 100 mm. This mirror has a high reflectivity (>99.98%) to keep as much of fundamental power within the resonator. The mirror is marked with "SHG100".



Module G: SiPIN Photodiode

This unit consists of a SiPIN photodiode accommodated in a 25 mm housing (1) with attached cable. The detector is connected to the signal conditioner box (). A target-screen can be mounted in this „click“ - mount (2) to check on the optical axis during the basic adjustment. If required it can be inserted into the mounting plate (2) instead of the photo detector.



ED-0060 Photodetector signal conditioning box

This device allows the connection of the photodetector to an oscilloscope. For this purpose the photoelectric current which is proportional to the number of incident photons needs to be converted into a voltage. This is done by the simple however very effective by the circuit as shown on the left.

The circuit is driven by a 9 V battery which lasts almost one year under regular operation. The impedance of the output can be adjusted from 50 Ω to 100 k Ω . The "OFF" position still provides via an 1 M Ω shunt a signal with a very high sensitivity which sometimes is useful.

For fast signals the lower shunt resistors are used. Rise times of 1 ns can be measured in the 50 and 100 Ω position.

Digital Laser Diode and Peltier's Element Controller ED-020

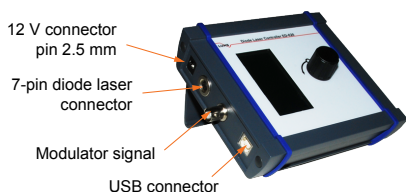
This fully digital operating device controls the injection current as well as the temperature of the diode laser head. By means of a one knob interaction all parameters can be set and displayed. By turning the knob a specific menu item is selected. Pressing the knob acts as enter key.



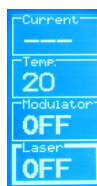
The diode laser head is connected via a multi-pin connector to the device. A BNC jacket provides a synchronisation signal of the modulation frequency when the diode laser is electronically switched on and off. The ED-0020 device provides an integrated USB interface which enables full remote control by an optional computer or laptop.

Specifications:

Injection current	1000 mA maximum, selectable in steps of 10 mA
Temperature	15 - 40 ° C in steps of 1°
Modulation	10 to 1000 Hz in steps of 10 Hz
Operating Voltage	12 VDC, by means of an extra wall plug power supply
Inputs	Diode laser connection
Outputs	Modulation signal as TTL trigger signal via BNC jacket
Dimensions	115 x 130 x 38 mm



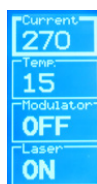
On the left side of the ED-020 the connectors are located. A 12 V connection with 2.5 mm pin is provided. A simple wall plug power supply is attached to here. The diode laser connection requires a 7 pin connector and is suited for the DIMO 0.5 W laser head with integrated Peltier's element and NTC temperature sensor. However also other laser heads may be connected, please feel free to ask for our support. A BNC jack is provided to deliver a monitor signal for the internal modulator. This signal can be used as trigger. The USB connector is provided for future expansions to control the unit by external software.



Laser ON / OFF

Turning the central knob highlights sequentially the selected item. To switch the laser on, turn the knob until the "Laser" menu is highlighted as shown in the figure on the left side. Pressing the central knob shortly (less one second) switches the laser on or off.

If a previous value of the current has been set and the laser is switched of, the processor provides a soft shut down of the laser diode.



Injection current

Select the "Current" menu and press the central knob down for 2 seconds until the "Current" item starts to blink. By turning the knob the current is selected which is set to the laser diode from the processor with soft steps of 10 mA in 100 ms. This assures a safe and lifetime extending operation for the laser diode. Pressing again the central knob leaves and closes the current menu.

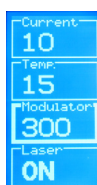


Temperature

Select the "Temp." menu and press the central knob down for 2 seconds until the "Temp." item starts to blink. By turning the knob the temperature set point is selected. To take over the value the central knob must be pressed as long as the menu item "Temp." stops blinking, which is set to the laser diode from the processor.

The temperature range can be set in from 15° up to 35° C. In highlighted mode the value of the temperature is the temperature set point. In non highlighted mode the actual temperature is displayed.

It may take a while before the system reaches the stable temperature.



Modulator

The injection current can be switched periodically on and off. In this mode the output power of the laser diode is modulated as well. This is of interest, when time dependant measurements shall be carried out. The modulation frequency can be set from 0 to 1000 Hz. The duty cycle is fixed to 50%.

A monitor signal of this modulation signal is present as TTL signal at the BNC jack as shown in the illustration of the left page.

6.2 Experimental set-up

The object of the experiment is to set the semiconductor laser into operation. The module A is positioned on the optical rail and clamped.

The control unit is connected to its 12 Volt power supply. The display of the controller turns on and is ready for operation.

The display of the diode laser controller shows the set value of the diode laser's temperature as well as its current temperature in degrees Celsius and the injection current in mA. If the temperature is changed, then it takes a few seconds until the set value has been stabilised at the laser diode.

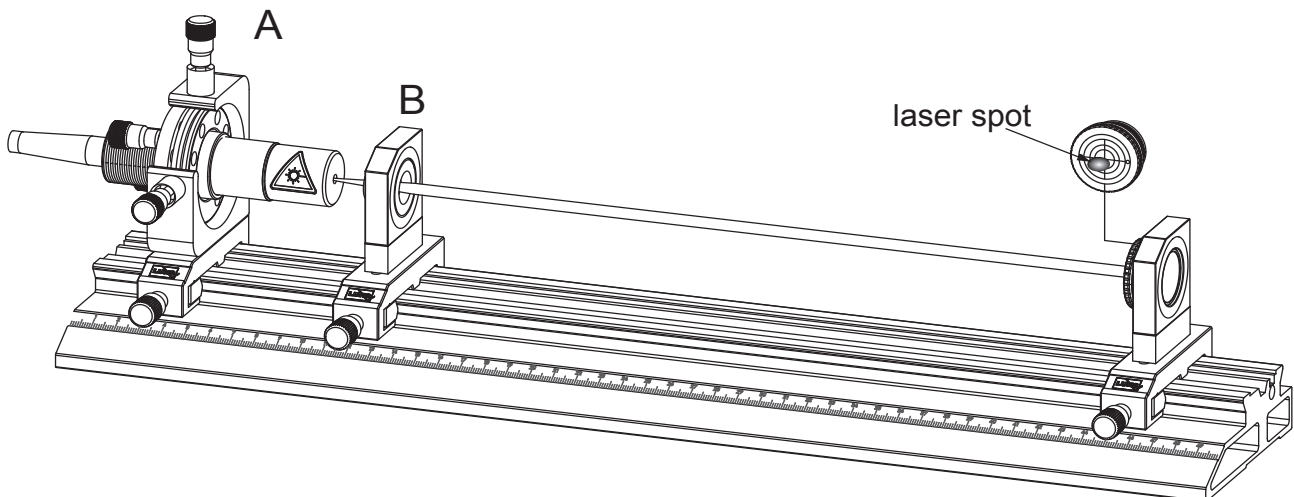
The laser output beam can be made visible with the IR converter screen. The beam is so intense that it can even be seen on a black surface. It can be seen that the diode laser beam is divergent. The laser diode current is now decreased to the lowest value and switched off to place the collimator (Module B) onto the rail. The collimator has a focal length of 8 mm. The focus is located about 1-2 mm in front of the entry surface of the collimator. It is now

necessary to block off the emitted beam, so that it cannot leave the experimental area in an uncontrolled manner. This will be done by using the photo detector with its adjustment aid target. The light from the laser diode is almost parallel for a certain collimator position. The beam spot should be centred to the crossed lines of the target. If this is not the case, the beam path can be adjusted with the adjustment screw on the module (A).

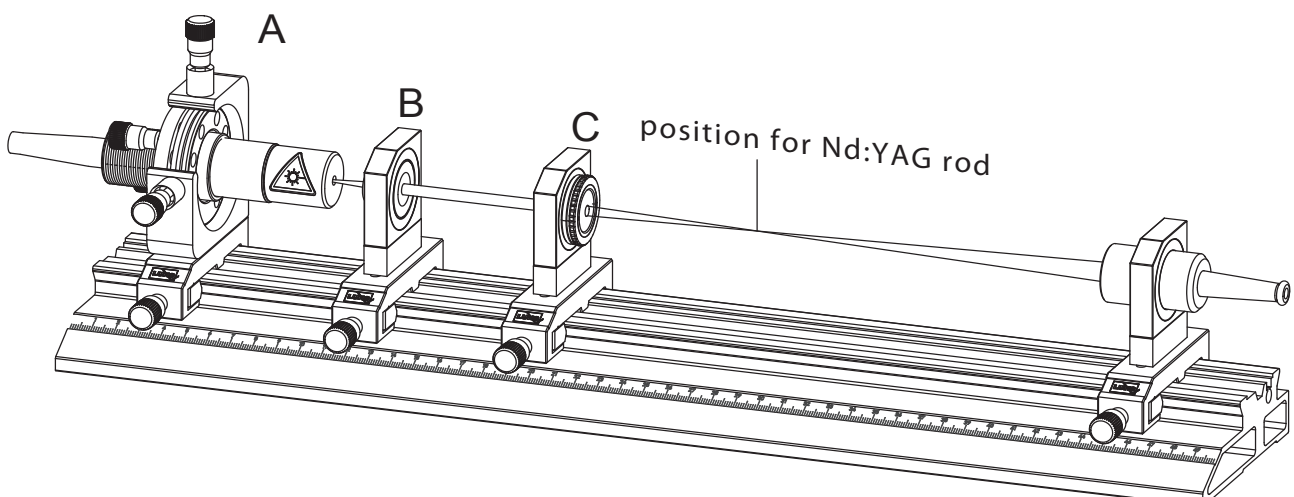
Consequently the diode laser is switched off again and the focusing unit positioned on the rail. This unit contains a biconvex lens with a focal length of 60 mm. It is later used for focusing the diode laser beam into the Nd:YAG rod. It is practical to set up the focusing module at a distance of about 60 - 100 mm apart from the collimator. The focus of the diode laser beam is produced at a distance of about 60 mm from the main plane of the biconvex lens. The Nd:YAG rod should be positioned at this point, so that the focus is located inside the rod. The position of the focus can be found with a piece of white paper. It is noted before the diode laser module is switched off again.

6.3 Absorption and wavelength of the laser diode

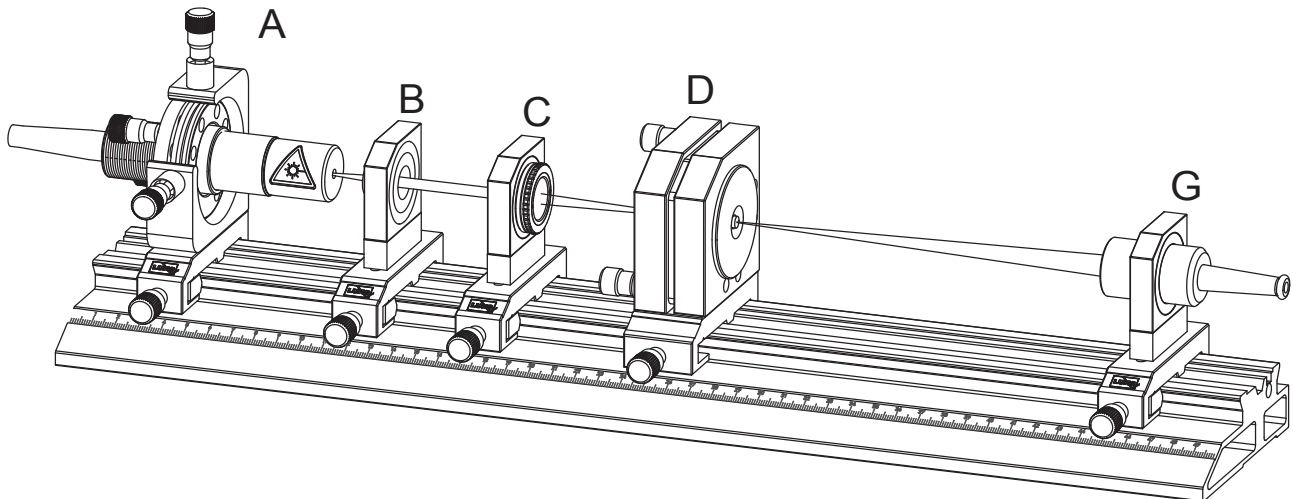
6.3.1 Adjusting a parallel beam by means of the collimator (module B)



6.3.2 Inserting the focusing unit (module C)



6.3.3 Inserting the YAG - rod



6.4 Absorption spectrum

In the following experiment the dependence of the wavelength of the diode laser beam on the diode temperature and the injection current is determined. Normally, these types of measurements are carried out with a high resolution monochromator in which a grating is situated. The grating is the element which is sensitive to the wavelength. Another method is to use the well known absorption lines of the Nd-YAG. The energy level diagram for Nd ions in the YAG host crystal was shown in Fig. 1.4. According to this diagram, there are four absorption transitions which can be pumped with the laser diode used here. The maximum points of the absorption are located at:

- | | |
|-------------|-------------|
| 1. 804.4 nm | 2. 808.4 nm |
| 3. 812.9 nm | 4. 817.3 nm |

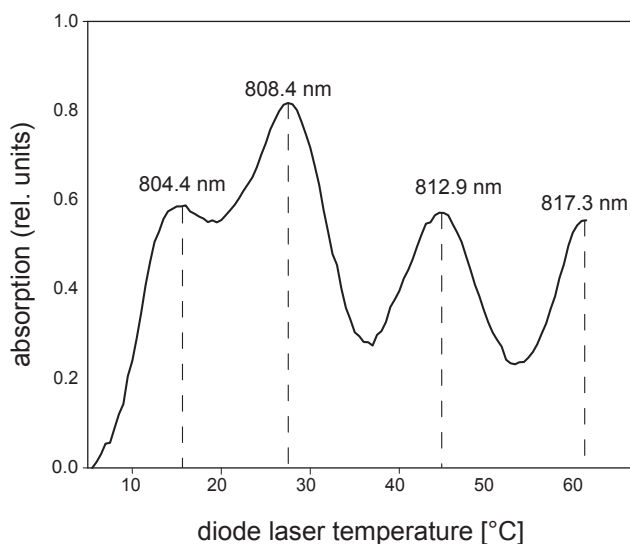


Fig. 6.1: Absorption measurements for Nd-YAG versus the wavelength of the pump light (laser diode temperature)

The adjustable holder with the YAG rod (Module D) is used in addition to the existing set-up for the previous measurement. The YAG rod should be positioned such that the laser light illuminates the YAG rod centrally. The supplied photodetector is positioned behind the YAG rod. The distance should be chosen in such a way that the light intensity does not saturate the detector. Attention must be

given in sensitive ranges to ensure that no extraneous light invalidates the measurement. At the start of the measurement the semiconductor laser module is switched on again. The residual pump light passing through the YAG rod can be observed with the converter screen. If the diode temperature is now changed, an increase or decrease in the intensity of the residual light can be observed which is caused by the wavelength dependence of the semiconductor laser. Once set, the level of injection current must be maintained when carrying out the following measurement, because it also affects the wavelength and the output power. The measurement is taken, beginning with the lowest possible temperature. A period of a few minutes must expire before the laser diode has cooled down to a constant value. The measurements are then taken in suitable temperature steps up to the maximum temperature.

6.5 Wavelength and temperature dependence

If the previous measurements are recorded, the spectrum showing dependence of absorption in temperature is obtained for the Nd-YAG material. At least two or even three peaks should arise which can be allocated to the well known central wavelengths. One peak is particularly noticeable. The later laser experiments should be carried out at this wavelength, because the pump efficiency η is the highest at this point. Here, it is necessary to be able to vary the pump power without leaving the absorption peak, i.e. the power must be able to be changed without changing the wavelength.

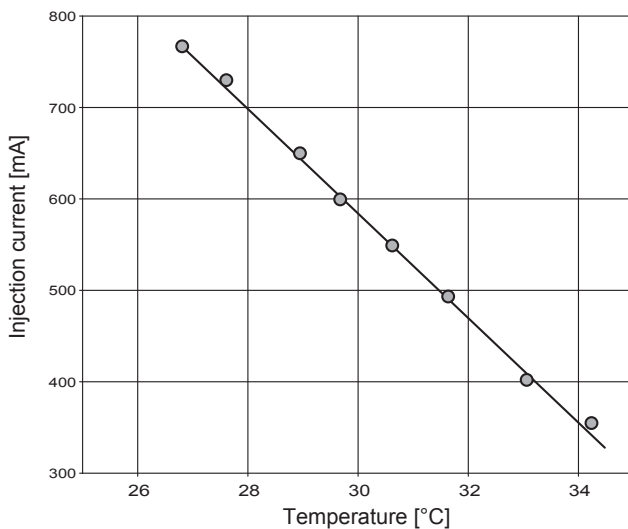


Fig. 6.2: Laser diode characteristic for operation at constant wavelength

An increase in the power increases the wavelength. However, if the temperature is reduced by a certain amount, then the wavelength remains constant. The temperature value associated with each level of injection current must be determined in another measurement. The same experimental set-up is used for this. A practical method is, to first of all, set the temperature at which the absorption was the highest or at which the transmission was the lowest. This value should then be at the known central wavelength. The injection current is then varied, changing the temperature so that maximum absorption occurs again. The pair of values for temperature and injection current are noted and drawn graphically. A straight-line operational characteristic is obtained for which the wavelength is constant (Fig. 6.3).

6.6 Laser diode output power

If an optical power meter is available, then the output power can be directly measured as a function of the injection

current. Due to the almost linear relationship of both quantities, the injection current can be used as a value for the relative power.

This is an advantage if the losses of individual optical components in the beam path are unknown or if it would be very difficult to measure them.

A typical characteristic for the laser diode used is shown in Fig. 6.3. This curve is enclosed with each experimental laser as individual data sheet. In practical operation it should be taken into account that return reflections from the laser set-up can enter the laser diode and reach the monitor diode. This will be evaluated as laser power by the control circuit which will lead to a reduction in the injection current. Therefore, in the following laser experiments the pump-light beam should be slightly angled to the axis of the laser resonator. The current indication is observed and the adjustable holder for the laser mirror is tilted using the adjusting screw. If not necessary the power stabilisation mode should be shut off.

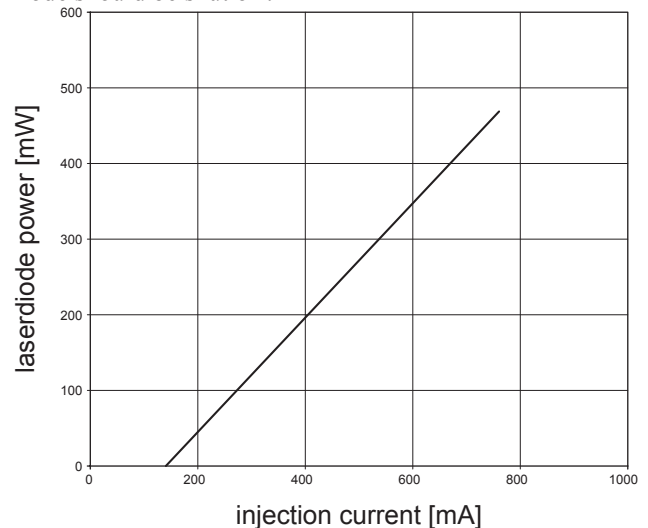
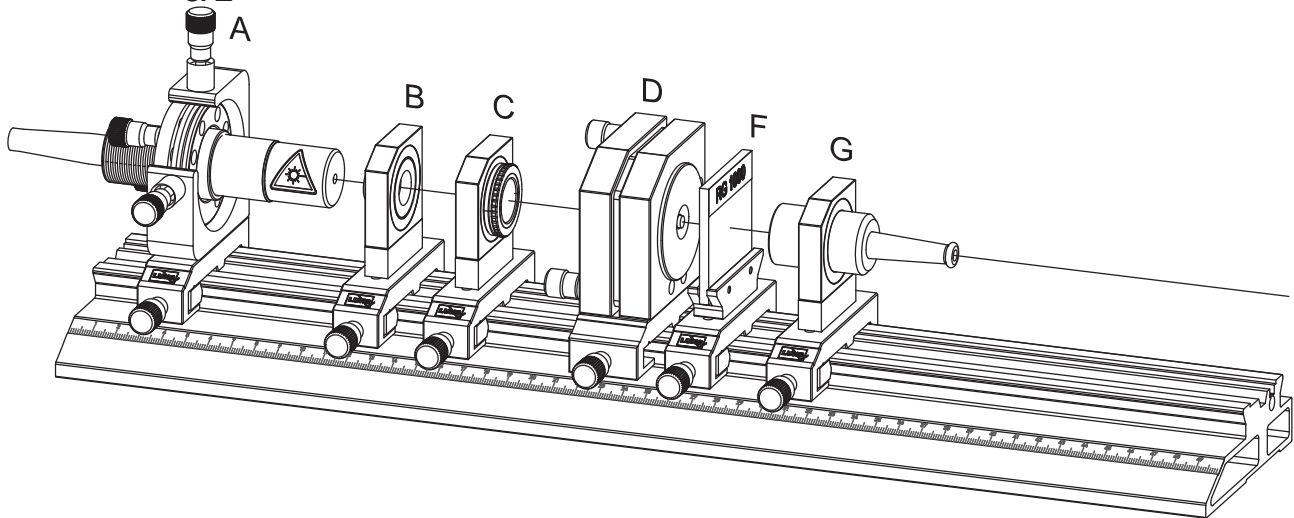


Fig. 6.3: Typical laser power of the diode laser at 25°C.

The above experiments can be extended in a number of ways or other experiments can be designed on the topic of optical pumping with diode lasers. For example, the excitation spectrum of Nd-YAG can be measured if the supplied cut-off filter RG1000 is placed in front of the photodiode. The filter holder is intended for this purpose. Radiation above about 1000 nm is let through the filter and the pump light is therefore mainly suppressed. Induced radiation at 1064 nm and at 1384 nm is produced by the pump process. Similarly still more fluorescent lines occur, but their spectral verification should be carried out with a monochromatic filter or a monochromator. The emission spectrum can be measured similar to the manner in which the absorption spectrum was found. Without a monochromatic filter an integral measurement of the fluorescence is obtained in relationship to the pump wavelength. Deliberations regarding the wavelength stability of the diode laser can be initiated by expanding on the knowledge obtained from measurements on the calibration of the wavelength. Using the absorption or transmission signal of the photodiode, a control circuit can be formed which stabilises the laser diode wavelength exactly to the peak of a Nd-YAG absorption line. Estimates can be made about the long-term stability of this type of interesting application.

6.7 The $4F_{3/2}$ life-time measurement



The initial level for emission with a wavelength of 1064 nm is the $4F_{3/2}$ level, which compared to normal optical transitions has a very long lifetime of about 250 μsec . This means that 250 μsec pass before the intensity of the spontaneous emission has decayed to a value of $1/e$ of the initial value.

If the Nd:YAG crystal is optically pumped periodically, then the variation of the spontaneous emission with time can be displayed on an oscilloscope. With the long lifetime of 250 μsec this can be measured even with simple oscilloscopes.

For this experiment the internal modulator of the controller unit is switched on. The laser diode now is switched on and off with an adjustable frequency which is set by the associated knob on the front panel. The pump light is focused into the laser rod with the focusing unit.

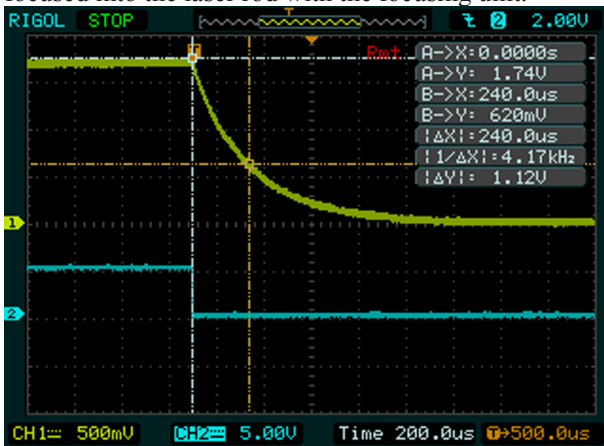
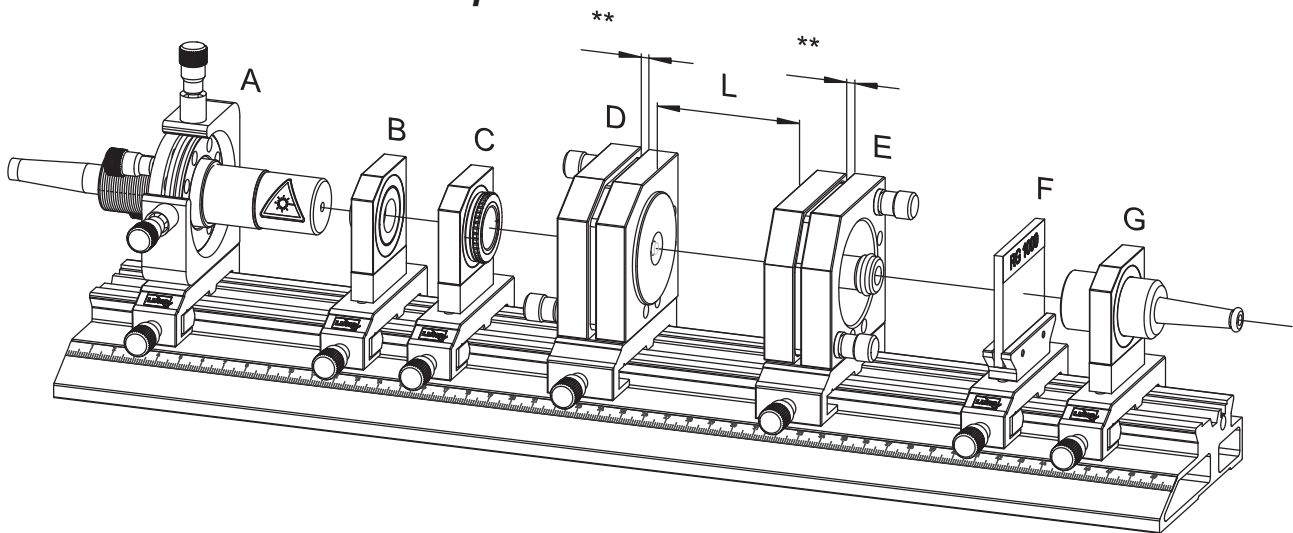


Fig. 6.4: Oscilloscope traces of pump power (upper) and detector G (lower)

The RG 1000 filter is positioned close behind the YAG rod to suppress the pump radiation that is not absorbed. Fluorescent light passes through the filter to the photodetector G. The injection current output signal of the laser diode and the output from the photodetector amplifier are connected to a two channel oscilloscope. Fluorescent light is still observed if the pump is switched off. At the point at which the intensity of the fluorescent light has fallen to $1/e$ (0,37) of the initial intensity, this time is measured. It corresponds to the mean life-time of the $4F_{3/2}$ level.

6.8 The Nd-YAG laser set-up



6.9 Laser resonator adjustment

It has been seen from the previous measurements that the pump laser should be tuned to the strongest absorption line at 808,4 nm (Fig. 6.1) and the value for the corresponding temperature at a certain injection current is known (Fig. 6.2). The adjustable holder for the laser mirror (Module E) is needed in addition to the existing set-up. The focus of the pump beam must now be positioned such that it is located centrally within the Nd-YAG laser rod. This can be checked with the supplied adjustment aid target which is inserted in front of the photo detector. The focus is located at the correct height when it meets the centre of the crossed lines. Do this alignment with lowest possible power of the diode in order not to burn a hole into the target. The sideways alignment is carried out in a similar manner. Module D is again used and positioned so that the focus is located within the laser rod. The laser rod is then lined up perpendicular to the pump radiation. This is done when the gap between the adjustable and fixed plates of the laser mirror adjustment holder is aligned parallel as shown in the figure above. The second laser mirror holder (Module E) is placed in position. The distance for the holder is provided by the section on optical stability. Initially it is sufficient to align the laser mirror perpendicular to the optical axis just by sight. It is roughly lined up when the moveable adjusting plate on the mirror holder is adjusted so that it is parallel to the fixed base plate as shown in the figure above. The diode laser is then switched on again and the current is set to the maximum possible value.

6.10 Laser operation

Once the laser set-up has been adjusted, laser radiation at 1064 nm should be produced. This radiation cannot be seen with the eye and so the IR converter screen is used for observation purposes. The screen is held in the beam path on the output side of the resonator. When the laser is excited, a whitish core is visible within the rest of the pump radiation which appears on the screen as a clearly formed pink-coloured rectangle. Depending on the state of adjustment and the resonator distance, the laser beam may appear spread out or ragged. To obtain a better check, the plate holder with the RG 1000 filter is inserted into the path of the beam. The filter absorbs the pump radiation

and only the Nd-YAG laser radiation is passed through. The laser output power is then optimised by adjusting the resonator. One should ensure the correct resonator distance and the position of the focus in the laser rod which is affected by the focusing lens. Further increases in power can be achieved by slightly loosening the clamp and moving the lens holder. If no laser radiation occurs, then the basic adjustment is made afresh. It has been found in practise that longer than 10 minutes should not be spent on adjusting the same element. The problem is then certain to be somewhere else. A particularly sensitive way of adjusting the laser is to use the photodetector with an oscilloscope connected to it. The RG 1000 filter must be placed in front of the detector and the oscilloscope must be switched to the most sensitive range in the AC mode. A laser which is just about to oscillate will already exhibit fluorescent light, which is partially output from the output mirror. By moving the adjusting screw to and fro, the “flashing” of the laser radiation will be noticed immediately on the oscilloscope as soon as it occurs. This method enables the tracing of the point on the apparatus which is causing the problem.

6.10.1 Measurement of threshold and output power of the Nd-YAG laser

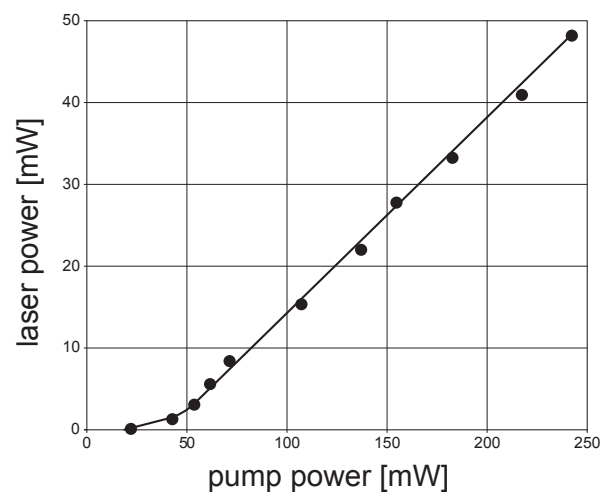


Fig. 6.5: The laser output power in relationship to the pump power.

Once the laser has been adjusted to the maximum output power, the slope efficiency and the laser threshold can be

measured. The measured values provide information on whether the system has an acceptable threshold value and efficiency. The measurement of the output power is made with an optical power meter at various pump powers. Here, it should be ensured that the corresponding laser diode temperature is set for each value of injection current. The laser threshold can be found by reducing the pump power until the laser just does not oscillate. At this point a fine temperature adjustment and a re-adjustment of the resonator should be made.

6.10.2 Output power at various pump wavelengths

According to equation (10), the laser output power also depends on the pump efficiency η . This can be checked in the following experiment. The injection current is set to a fixed value and the pump wavelength is varied by changing the temperature. The output power is found for each temperature value and displayed graphically.

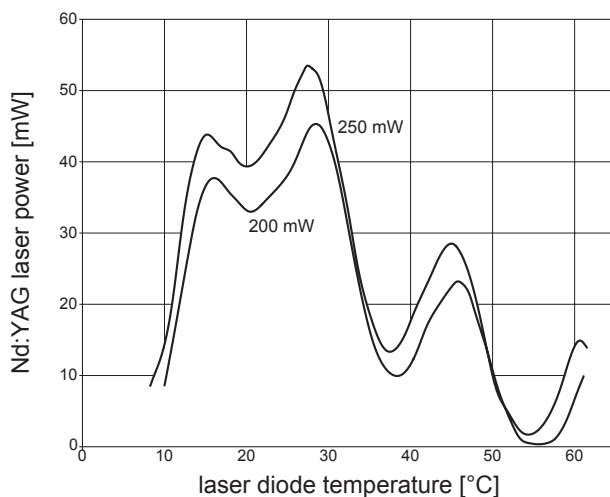


Fig. 6.6: Laser power at various pump laser temperatures (wavelengths). The laser output power peaks when the pump wavelength is tuned to the corresponding absorption peak.

The curve as shown in Fig. 6.6 is obtained which has four prominent peaks corresponding to the resonance frequency of the relevant absorption lines. Eq. (1.3) must be fulfilled for each point on the curve. The values for E_{41} are known at the extreme values and a set of three equations is available. Since the measurements were carried out at the same values of T , L and P_p , the other quantities can be obtained. If the same measurements are made with a different pump power, a new set of equations is produced. Since T is known, it is possible, to determine the losses L . Those who are interested in mathematics can return to the rate equations with the measurements from the range of experiments. Comparing the measured values with calculated ones, it is possible to produce a computer model of the Nd:YAG laser. The model can be further refined through supplementary measurements to obtain “good” parameters for the numerical solution, including the time dependent solution of the rate equations. Dynamic processes such as spiking and Q-switching of the system can be investigated with the time-dependent solution.

6.10.3 Display of transverse modes

It will be found during the experiments that the laser has the highest output power in multimode operation. The reason for this is that the active volume is larger than in the fundamental longitudinal mode. The transverse modes can be seen with the eye using the IR converter screen. If the laser beam is expanded with a lens, then the structure of the modes can be recognised. One can see a large number of modes depending on the adjusted state and in one direction there are a particularly large number of modes. This is also the direction of the greatest expansion of the pump beam which is not round, but has a nearly rectangular beam profile. This and the use of a low out coupling mirror are the reasons why the efficiency and output power achieved do not reach the values which are theoretically possible. The laser rod / resonator system, which is symmetrical about the axis of rotation, cannot fully convert all the pump light provided. Better values are obtained if the pump-light beam is, for example, converted into an almost round cross-sectional shape using a set-up of cylindrical lenses. Later, when using the frequency doubling unit, the transverse modes can be observed as visible light which is much more impressive.

6.10.4 Demonstration of Spiking

For this experiment the internal modulator for the injection current of the laser diode is switched on. The photodiode signal is displayed on the oscilloscope. Spiking can be most impressively demonstrated if the laser is operated just above its threshold. The spiking curve becomes more regular when fewer transversal modes oscillate. To achieve this an aperture with variable diameter, which is available as option, is placed into the resonator.

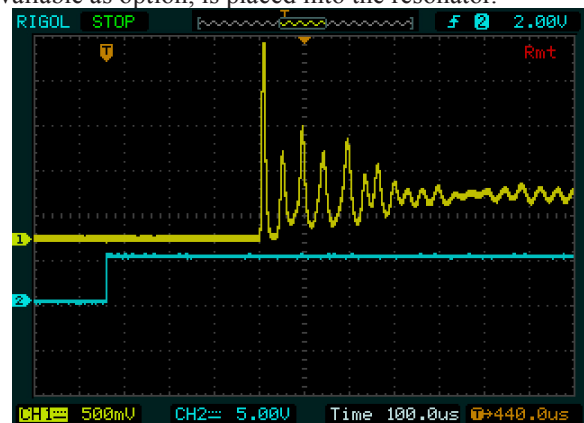


Fig. 6.7: The upper trace shows the photodetector signal and the lower one the injection current

The diameter is set to suppress most of the transversal modes. Those who are interested in obtaining a deeper understanding of spiking and of the dynamic laser processes can perform a Fourier’s transformation on the curve. It will be found that the periodicity of the spike pulses depends on a number of parameters. These are mainly the pump rate, the storage properties of the system, the resonator propagation time, characteristic life-times and relaxation rates. The above mentioned parameters can be combined from these measurements on spiking and from previous measurements to form a complete mathematical model of the Nd:YAG laser.

6.10.5 Operation of the 1.3 μm Line

Accordingly to the energy level diagram of Fig. 6.8 laser operation can also be carried out at the wavelength of 1.3 μm . For this purpose a YAG rod and the second laser mirror with a high reflective coating for this wavelength is required. Since the previous used photodetector (Si type) is not able to detect this wavelength it has to be exchanged against a Ge type. All these additional components are supplied with the 1.3 μm options. Alignment and set-up are identical to the operation at 1064 nm. Since the gain of this transition is less than that of the previous discussed, alignment is a little bit more complicated. But if one uses a 1 Watt diode laser no additional problems will occur.

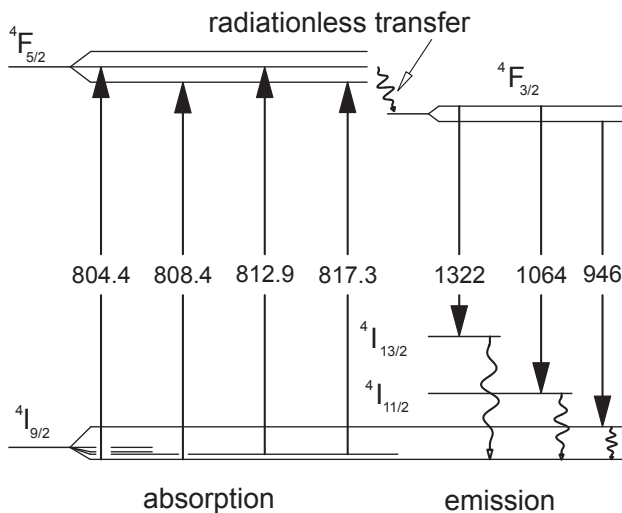


Fig. 6.8: Energy level diagram showing the 1.3 μm laser transition.

6.10.6 Mode Aperture and TEM₀₀ Operation

This module will be used if the number of transverse

modes have to be controlled. The adjustable iris can be set to a desired diameter in order to reduce the number of transverse modes. The smallest diameter is about 0,8 mm and is sufficient to force the laser into TEM₀₀ mode. The way the iris works can be impressively demonstrated in connection with the second harmonic generation.

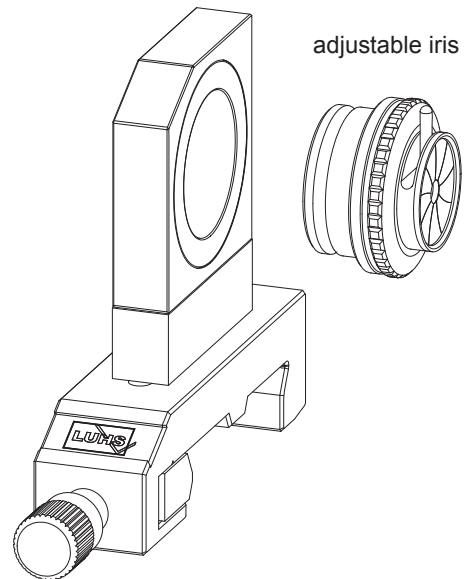


Fig. 6.9: Module Mode aperture

In this case a great variety all kinds of transverse modes, even the doughnut mode can be displayed. Furthermore this element will be used to clear up the spiking or the generation of short pulses with the saturable absorber. Without this element, the recorded signals will be the superimposition of a certain number of transverse modes.

When placing the iris inside the resonator one can control the number of transverse modes.

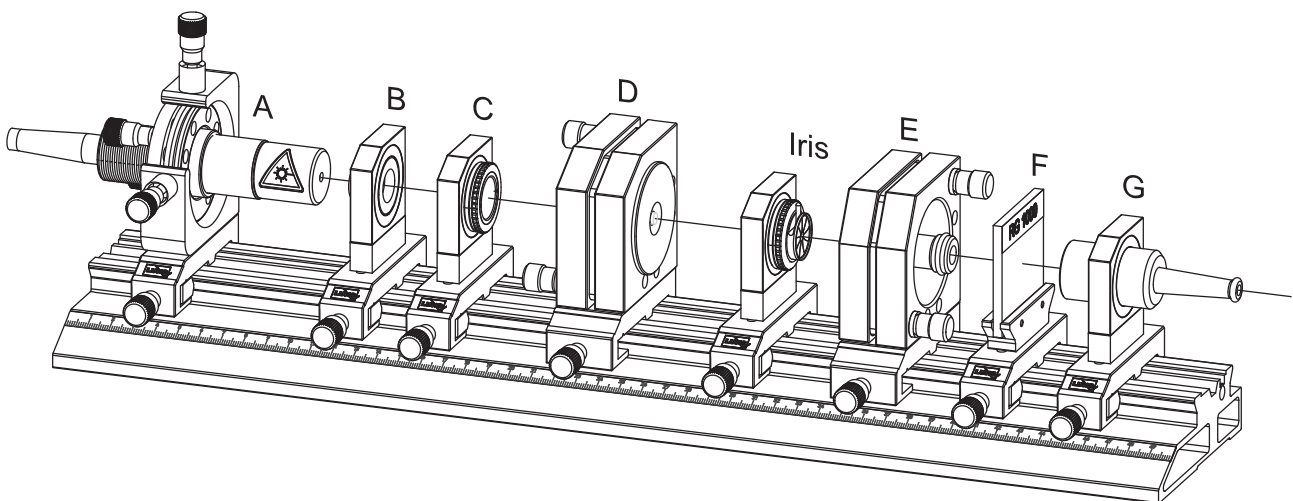
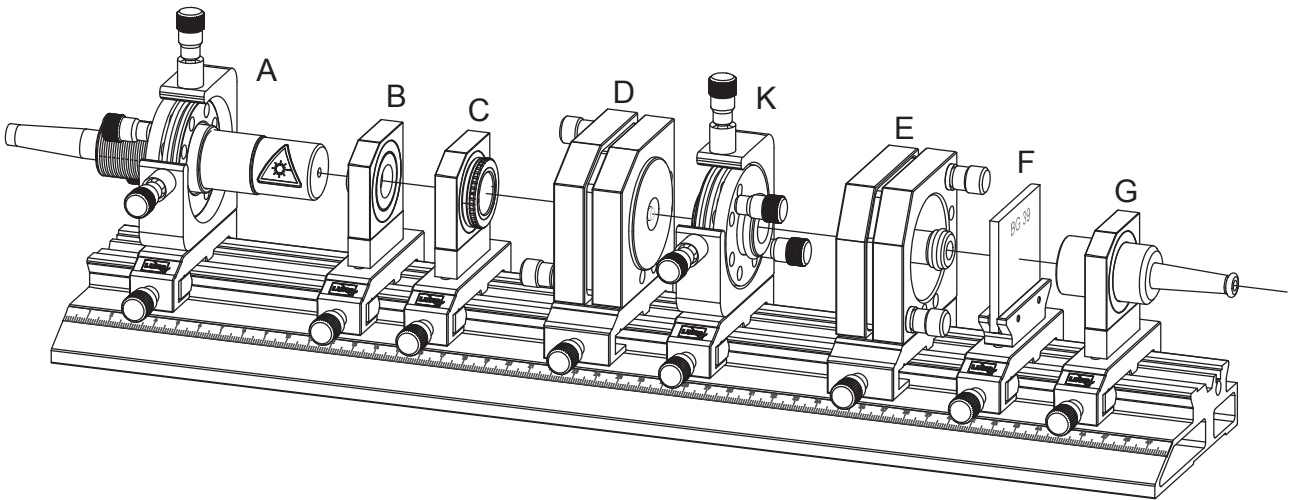


Fig. 6.10: Using the adjustable iris aperture to demonstrate the reduction of the transversal modes numbers.

7.0 Second Harmonic Generation



7.1 Modules and Set-Up

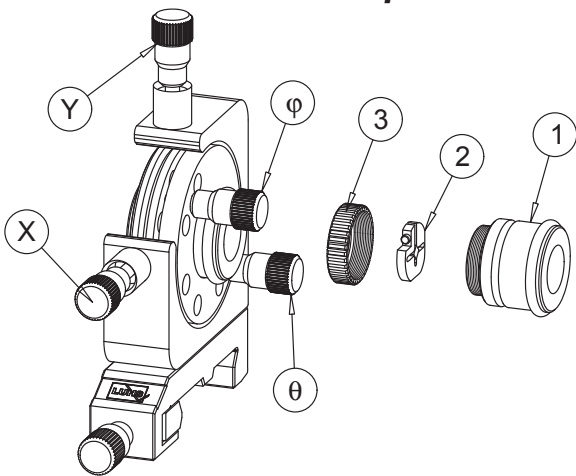


Fig. 7.1: Module K Frequency doubler

The second harmonic at 532 nm of the fundamental wave at 1064 nm is generated by means of a KTP crystal. The crystal has a size of 2x2x6 mm and is fitted into a special holder (1) to allow the cleaning from time to time. The fitting is mounted into a holder which is inserted into the 5 axes adjustment unit. The module K is additionally supplied with a mounted laser mirror marked as SHG100. This mirror will be used instead of the output coupler (R100-2%) and has a radius of curvature of 100 mm as well as a high reflective coating of >99.98 % to keep as much power as possible of the fundamental wave inside the resonator. Also supplied to the module K is a BG39 filter, which suppresses all infrared radiation including the laser diode radiation and lets the green radiation with a transmission of app. 60 % pass.

The intensity of the fundamental wave should be as high as possible for an efficient frequency doubling. The module K is now placed into the resonator. Please make sure that the crystal with its end surfaces is preset, approximately vertically and centrally to the resonator axis (visual inspection). According to how well adjusted the doubling crystal is, a green radiation will come out of the exit of the laser.

We now start with the adjustment of the crystal which is adjustable to all its axes in the holder. It can be rotated on its axis, turned over and shifted into the XY direction. The adjustments serve the purpose of achieving the best phase matching and therefore the highest conversion ef-

iciency. It is also recommended to adjust the resonator later on since beam bending can occur when the crystal is placed in it. When the adjustment has been carried out to a maximum exiting capacity for the “green” radiation, the injection current of the laser diode is varied. This is for measurement of the relation

$$P_{2v} = F(P_v).$$

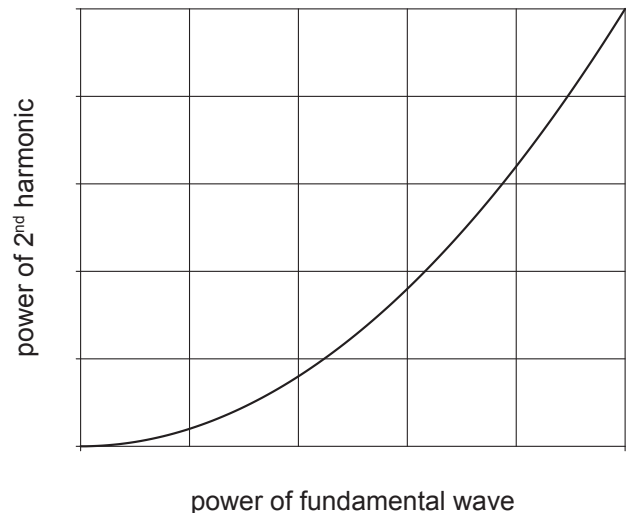
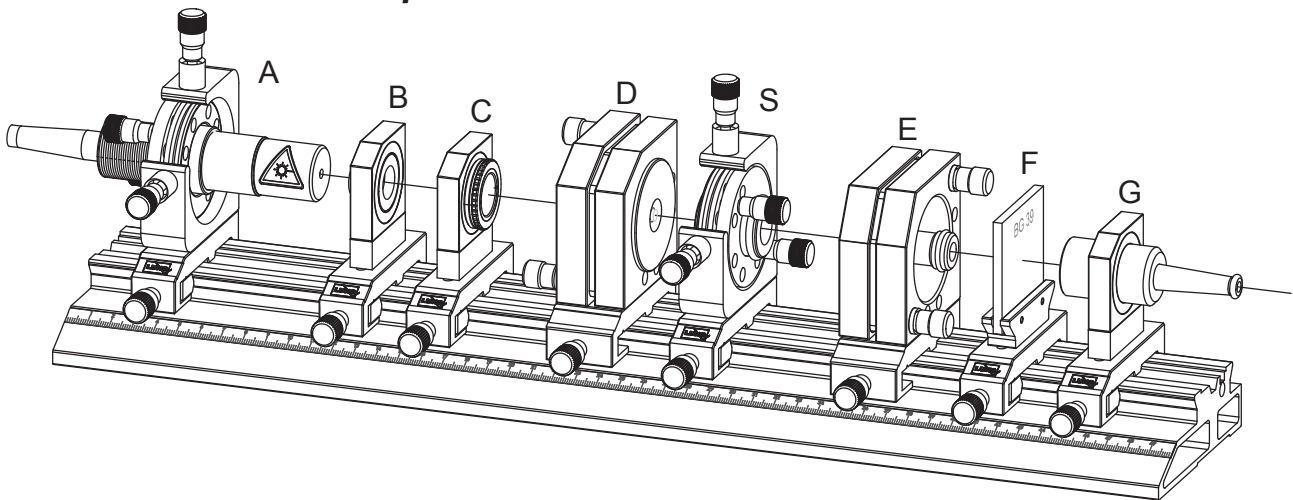


Fig. 7.2: Quadratic relationship between the power of the fundamental and the second harmonic wave

8.0 Passive Q-Switch

8.1 Modules and Set-Up



8.1.1 Experimental arrangement for Q-switch operation

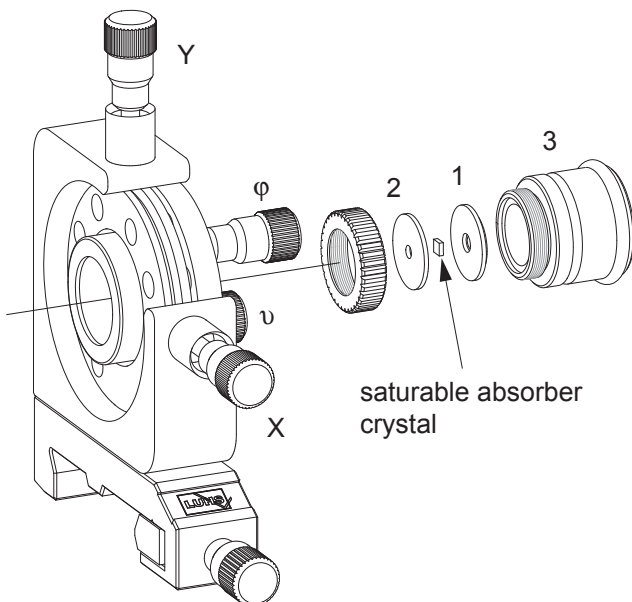


Fig. 8.1: Saturable absorber with mount and holder

The saturable absorber crystal (Cr:YAG) is set into a centering disk (1). The second disk keeps the crystal in position when the cap is screwed to the mount (3). The assembled crystal holder is inserted into the adjustment holder which allows the precise adjustment in XY and φ directions. In the same way the crystal can be disassembled when cleaning becomes necessary.

For this experiment the saturable absorber (S) is placed with its holder into the cavity. It must be ensured that the crystal is preset perpendicular to the resonator axis. If the experiment is supplied with the frequency doubling option this can be done with the aid of the green beam. For this purpose the crystal is placed at the output of the resonator and the crystal is aligned so that the back reflection of the green beam is centred on itself.

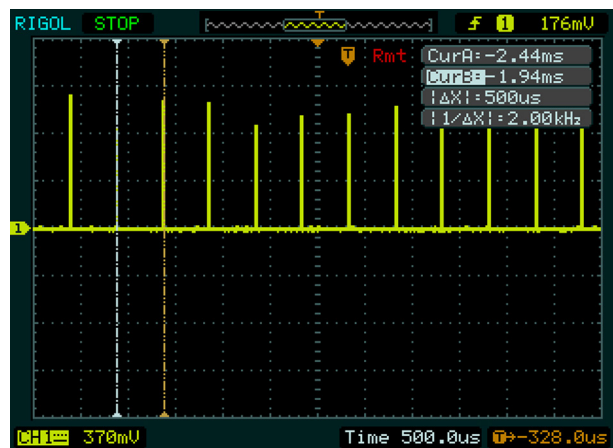


Fig. 8.2: Oscilloscope trace of Q-switch pulses

If no green beam is available insert the crystal when aligned by eyes into the resonator. Connect the photodiode to an oscilloscope which is switched to the highest sensitivity. Now tilt the adjustment screws of the adjustment holder or rotate the crystal with its mount. A flashing up of the signal will be seen on the scope. If the modulator is now switched on one can obtain a trace according to Fig. 8.2.

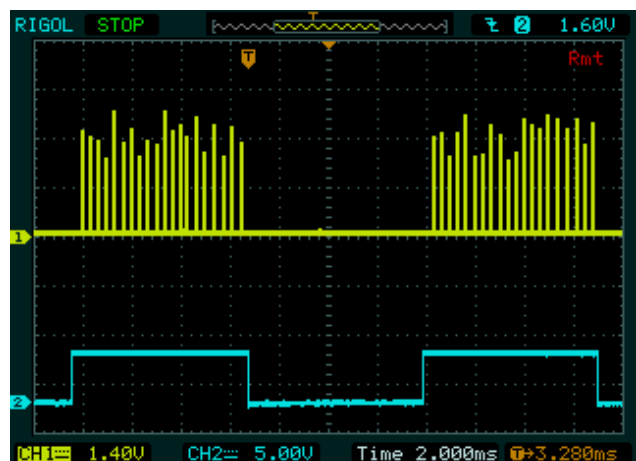


Fig. 8.3: Modulation of the laser diode is switched on

By increasing the modulation frequency a single Q-switch

pulse can be selected. With this combination of a passive Q-switch device with the pump modulation a nearly active Q-switch can be realised (Fig. 8.4).

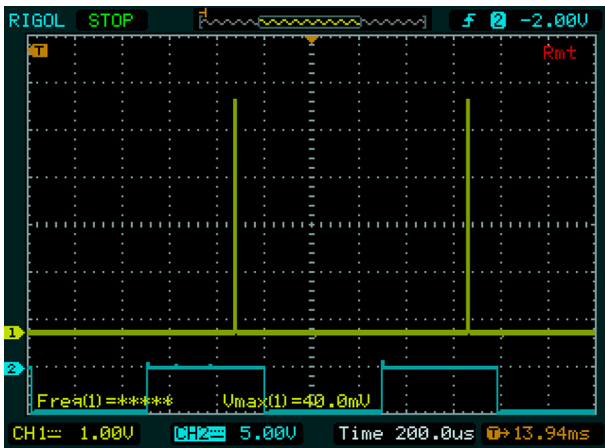


Fig. 8.4: Nearly active Q-switch achieved with pump modulation

From Fig. 6.4 we measured the lifetime of the excited state to approximately 250 μs . It means as well that the loading (pumping) of the state takes time. This time depends on the pump power. The higher the pump power is the faster the excited state will be populated. However it makes no sense to pump harder because of the lifetime for depopulation. This behaviour can be measured by taking the repetition rate of the pulses as function of the pump power which is shown in Fig. 8.5.

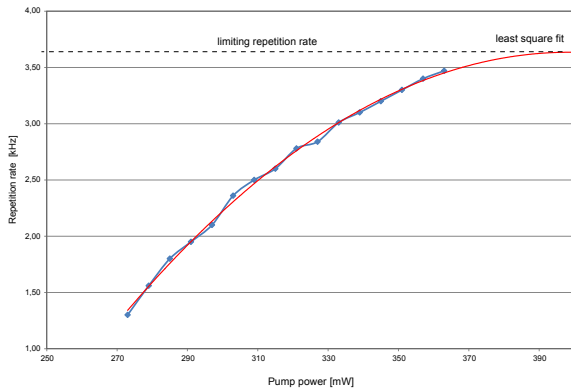


Fig. 8.5: Pulse repetition rate versus the pump power

It can be seen that a maximum repetition rate approximately 3.6 kHz results from the measured data. Theoretically 4 kHz as result from the lifetime of 250 μs should be possible. However this requires an ideal laser system which exists only on paper.

The power taken for the graph of Fig. 8.5 is measured behind the focusing lens before it enters the Nd:YAG rod. The relation of the injection current the absolute power is given in Fig. 8.6.

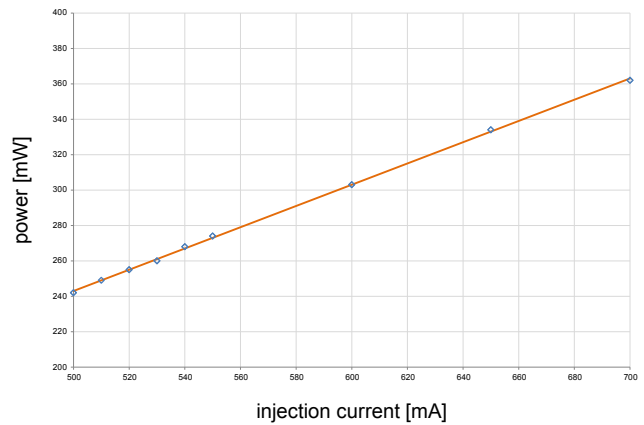
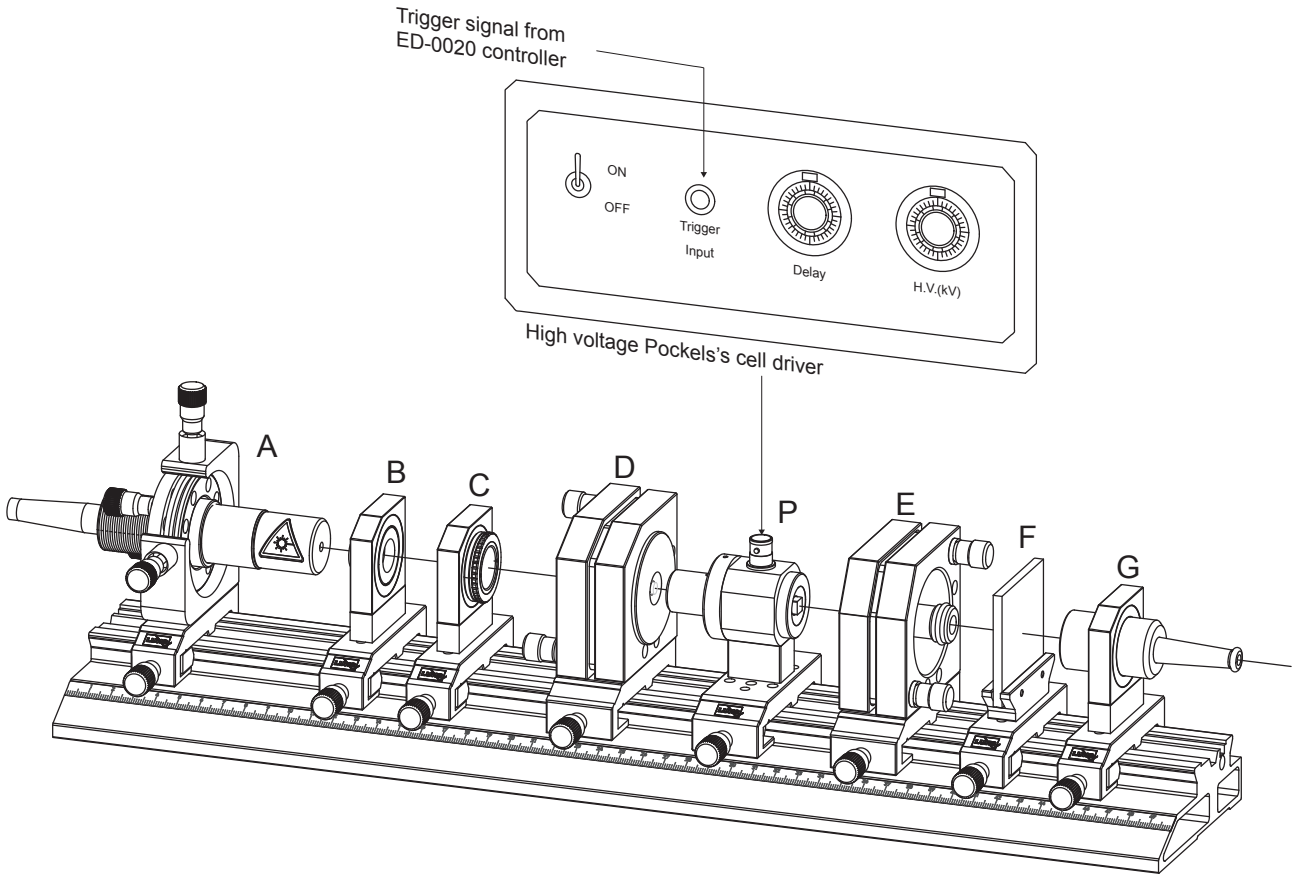


Fig. 8.6: Diodelaser output as function of the injection current

9.0 Active Q-switch

9.1 Modules and Set-Up



9.1.1 Description of the modules

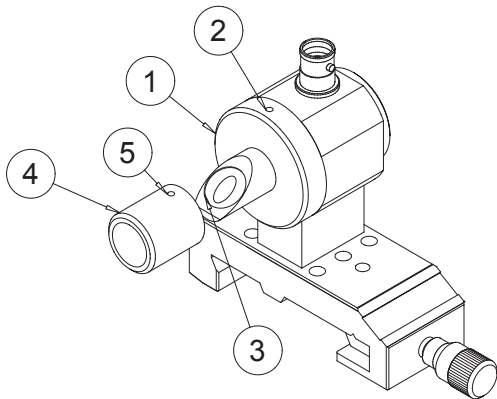
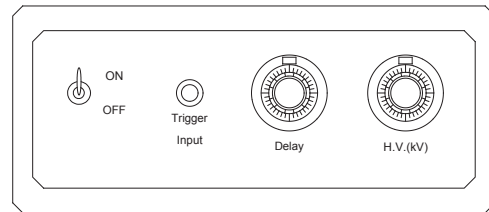


Fig. 8.1: Module P “Pockels’s cell”

The Pockel’s cell is provided with an rotatable Brewster window (1). By loosening the screw with the supplied tools the cap containing the window can be rotated. If a maximum of output power is reached, the screw is fastened again. The Brewster window (3) is covered by an additional cap which prevents the damage of the window as well as shielding Laser stray light coming from the window. Before removing of the cap the screw (5) must be loosened. The Pockels’s cell is connected to the driver with a special high voltage cable which forms an integral part of the assembly and should not be exchanged. The trigger input of the driver is connected to the TTL output of the frequency generator module. The falling edge of the TTL-signal switches off the high voltage and with that the status of polarisation.



Module Z “Pockel cell driver”

If the trigger input level (TTL) is high the output high voltage is on with the selected level set by the “H.V. (kV)” setting knob. Please note that the reading does not correspond exactly to the displayed value.

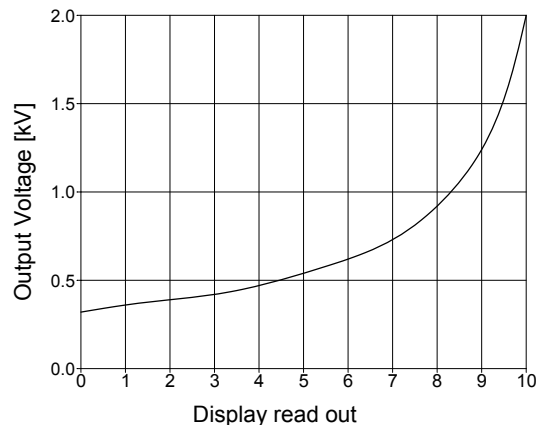


Fig. 8.2: Output voltage versus display read out of the Pockels’s cell driver

9.2 Active Q-switch alignment procedure

Step I of the alignment procedure

First the Nd YAG laser is adjusted in the normal manner to optimal output. It is helpful to work with the mirror SHG 100 because this shows almost no coupling losses, which makes further adjustments considerably easier. The injection current of the laser diode is kept at a minimum to stop the laser oscillation and permit the safe introduction of the Module P (Pockels's cell) into the resonator. Now the injection current is increased to the maximum value. Weak laser oscillation should be seen on the oscilloscope. It is necessary to switch on the internal modulator and to use the injection current output signal at the second channel of the oscilloscope as a reference signal. If no oscillation is observed, the Brewster window is turned a little around its axis position. Optimal output is adjusted with the right laser mirror adjustment holder.

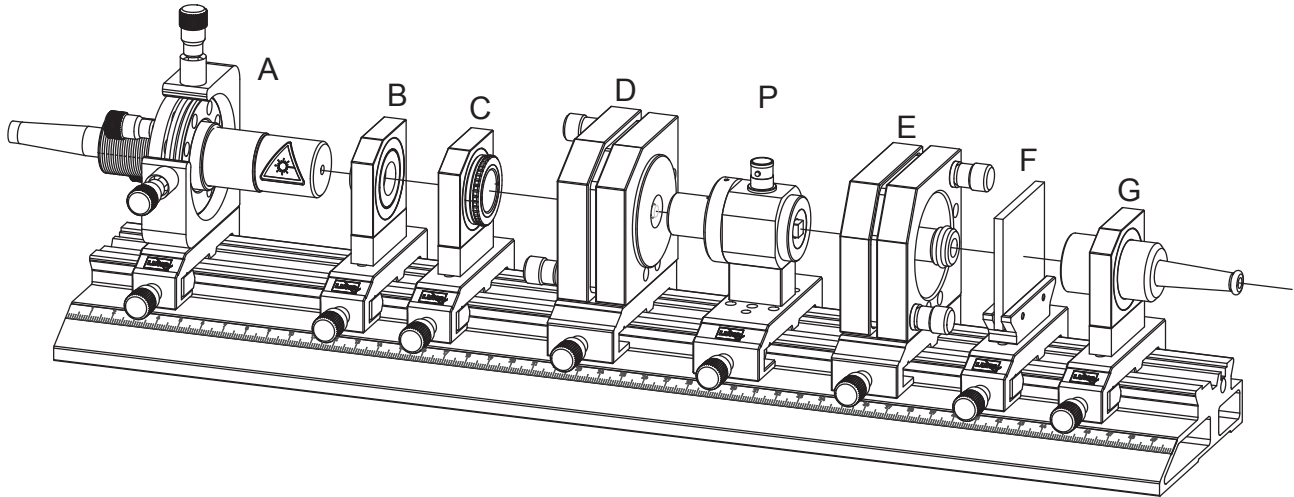
Final alignment step

After switching off the laser, the Pockels's Cell is connected to the driver (Module Z). The trigger input is connected to the TTL output of the frequency generator module and the second channel of the oscilloscope. A trigger frequency value is selected in such a way that a flicker free picture of the TTL signal is seen on the oscilloscope. Before switching on the high voltage driver, its setting should be at the minimum. The injection current is again set at its maximum. If this has not been done up to now, the channel of the oscilloscope which shows the photodiode current is set at the highest sensitivity. After adjusting of the high voltage Q-switch pulses become clear.

NOTE: All the internal optical components of the resonator should be thoroughly cleaned.

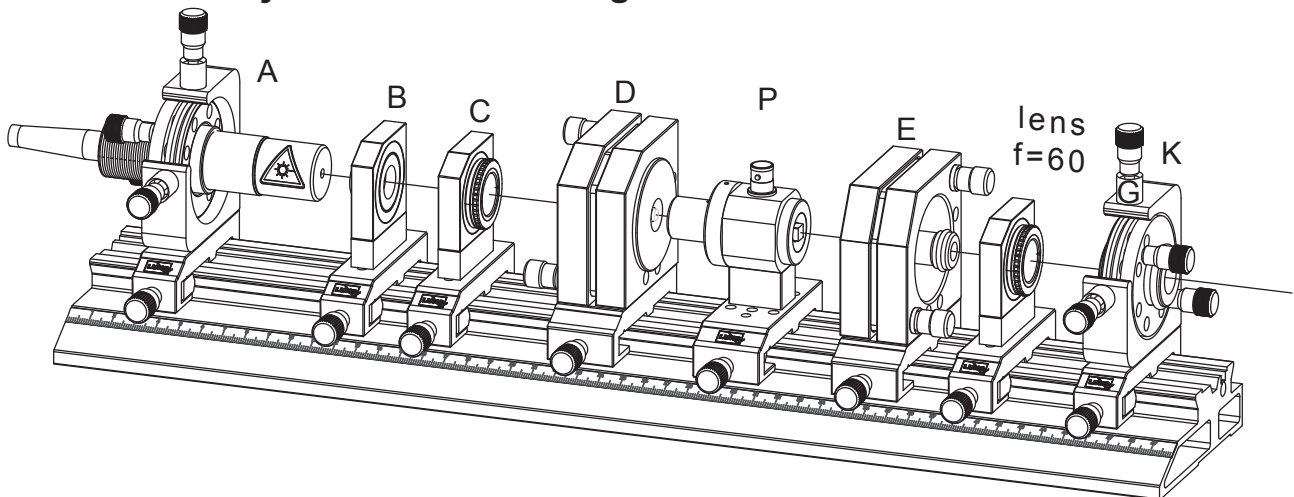
If the laser in the Q-switch mode is optimised, well adjusted, with the right selection of the high voltage, then in the following experiment the output coupling mirror R 100-2% can be used in place of the high reflecting SHG 100 mirror. For that, the injection current is again reduced to the minimum. After inserting/ placing the mirror and increasing the injection current to the maximum, the right mirror adjustment holder is again optimised. Now, stronger Q - switch pulses should be recognisable.

9.3 Intra-cavity second harmonic generation with Q-switched laser



This example shows the combination of the active q-switch and the second harmonic generation. One can imagine that also the peak power of single frequency doubled pulses will dramatically increase. To verify this the BG39 filter must be used to prevent infrared radiation to reach the photodetector and to allow the detection of only the green radiation. This filter is placed instead the RG1000 filter into module F. It appears for the eye that the intensity seems to be lower as in cw mode because the average power of the green radiation is lower.

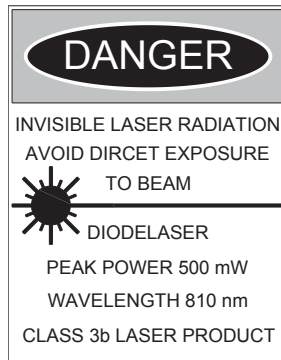
9.4 Extra-cavity second harmonic generation with Q-switched laser



During this procedure, it is also possible to show the external frequency doubling with the help of the KTP crystal. The KTP crystal with its holder is inserted into the laser output beam. On a white sheet of paper, one can observe a green point, the intensity of which can be visibly increased by correct phase matching (rotation of the crystal in its

holder) If one more focusing lens is available, then a considerable increase in the green radiation can be achieved. For this, one uses the highest repetition rate of the high voltage driver. Because of the high peak performance of the Q- switch pulse, the external frequency doubling can be demonstrated impressively

10.0 Laser safety



The Nd:YAG experimental laser is a laser which is only suitable for laboratory applications.

With the individual modules in the assembled state, laser radiation (semiconductor laser) can be produced at 805 nm with a maximum power of 500 mW.

With the secondary Nd:YAG laser which is pumped by the semiconductor laser, laser radiation at 1064 nm with a maximum power of 100 mW can be produced.

The complete assembled laser is therefore a product which exhibits the power characteristics of a Class IV laser. Since the Nd:YAG experimental laser is a laser system formed from combined nodular elements and can therefore be modified in a number of different ways, the operator of this system must ensure that the safety requirements are met.

The manufacturer only provides a guarantee for the individual modules, but does not accept any responsibility for cases of damage which arise due to the combination of the modules. The user must observe the laser safety regulations, e.g. **DIN VDE0837** or **IEC 0837**.

In these guidelines of February 1986 the following points are listed for the operation of laser equipment in laboratories and places of work.

- a.) The laser should only be operated in a supervised laser area
- b.) Special care should be taken to avoid unintentional reflections from mirrors
- c.) Where possible the laser beam should terminate on a material which scatters the light diffusely after the beam has passed along its intended path. The colour and reflection properties of the material should enable the beam to be diffused, so keeping the hazards due to reflection as low

as possible.

d.) Eye protection is necessary if there is a possibility of either direct or reflected radiation entering the eye or diffuse reflections can be seen which do not fulfil the conditions in c.).

e.) The entrances to supervised laser areas should be identified with the laser warning symbol

MZB means Maximum Permissible Radiation (Maximal zulässige Bestrahlung) and it is defined in section 13 of DIN/VDE 0837.

Special attention is drawn to point 12.4 of DIN VDE0837:



WWW.LD-DIDACTIC.COM



LD DIDACTIC distributes
its products and solutions
under the brand LEYBOLD

LEYBOLD®